

## Instruction Manual

Manuel d'instructions  
Bedienungsanleitung  
Gebruiksaanwijzing  
Manual de instrucciones  
Manuale d'uso



## 8 bottle cooler

Refridisseur 8 bouteilles  
8 flaschen kühler  
Wijnkoelkast voor 8 flessen  
Refrigerador de vinos para 8 botellas  
Cantinetta 8 bottiglie



## **ENGLISH**

# **IMPORTANT SAFETY INSTRUCTIONS**

Read these operating instructions carefully before using the device and keep them for future use.

- **WARNING:** When positioning the appliance, ensure the supply cord is not trapped or damaged.
- **WARNING:** Do not locate multiple portable socket-outlets or portable power supplies at the rear of the appliance.
- **WARNING:** Risk of child entrapment.
- Before disposing of your used appliance:  
Remove its doors and leave the shelves in place so that a child cannot easily climb into the unit.
- Never allow children to use, play with or climb into the unit.
- Never clean the components of the unit with flammable liquids.
- Do not store or use gasoline or any other flammable liquids or gases near this or any other appliance. Vapors

present a risk of fire or explosion.

- To clean your appliance, do not use abrasive cleaners or solvents
- Leave 10cm of free space between the back and sides of the unit to allow for ventilation of the cooling system.
- In order to store your wines at a stable temperature, avoid leaving the door open for too long.
- Do not install your appliance near a heat source and avoid direct sunlight.
- Install your appliance on a flat, clean and stable floor.
- Do not install any other electrical equipment on your appliance.
- To ensure your safety, do not place your appliance in damp places.
- Do not store perishable food in this appliance as the indoor temperature may not be cold enough for proper storage.
- This refrigerating appliance is not intended to be used as a built-in appliance.

- This refrigerating appliance is not suitable for freezing foodstuffs.
- This appliance is intended for use in domestic and similar applications such as :
  - kitchen areas in shops, offices and other working environments
  - farmhouses
  - in hotels, motels and other residential environments
  - guest rooms.
- This device is designed for use inside a house or apartment. It is essential that the temperature of the room in which it is used is not lower than 16° C or higher than 32°C for optimal use.
- Children aged from 3 to 8 years are allowed to load and unload refrigerating appliances.
- This appliance may be used by children of at least 8 years of age, as long as they are supervised and have been given instructions about using the appliance safely and are fully aware of the dangers involved.

- Cleaning and maintenance should not be carried out by children unless they are at least 8 years of age and are supervised by an adult.
- Keep the appliance and its power cord out of reach of children under 8 years of age.
- When using electrical equipment, safety precautions must always be taken to prevent the risk of fire, electric shock and/or injury in the event of misuse.
- Make sure that the voltage rating on the typeplate corresponds to your main voltage of your installation. If this is not the case, contact the dealer and do not connect the unit.
- The device must not be used if it has been dropped, if obvious signs of damage are visible or if it has leaks.
- Please keep this document at hand and give it to the future owner in case of transfer of your device
- This appliance may be used by persons with reduced physical, sensory or mental capabilities or lack of

experience or knowledge, provided that they are supervised or instructed in the safe use of the appliance and that they fully understand the potential hazards.

- Children shall not play with the appliance.
- Cleaning and user maintenance shall not be made by children without supervision.
- To avoid contamination of food, please respect the following instructions:
  - Opening the door for long periods can cause a significant increase of the temperature in the compartments of the appliance.
  - Clean regularly surfaces that can come in contact with food and accessible drainage systems.
- If the refrigerating appliance is left empty for long periods, switch off, defrost, clean, dry, and leave the door open to prevent mould developing within the appliance.
- Do not store explosive substances such as aerosol cans

with a flammable propellant in this appliance.

- If the supply cord is damaged, it must be replaced by the manufacturer, its service agent or similarly qualified persons in order to avoid a hazard.
- The shelves is placed in factory mode that result in the most efficient use of energy for the refrigerating appliances.
- If food is stored for a long time, it is recommended to wrap it in plastic wrap and set the temperature lower.

By purchasing this appliance, you own a device that combines unique advantages:

- ◇ The thermoelectric cooling system is extremely discreet, unlike conventional appliances with much noisier compressors.
- ◇ Less vibration: to preserve the quality of the wines.
- ◇ Small size, taking up less space.

**CAUTION:** Because the refrigerant gases are combustible, professional service people will be required to dispose of the electric cooler once it is out of use.

**WARNING:** Do not use this product in a place where children can touch it and do not leave children to use it alone.

### **Disposal of waste**

To avoid any harm to the environment or human health caused by the uncontrolled disposal of electrical waste, recycle the device responsibly to promote the reuse of material resources. Disposal must be done safely at public collection points provided for this purpose.

Older refrigerators may contain CFCs that destroy the ozone layer; contact your nearest waste treatment center for more details on proper disposal procedures.

This appliance contains the coolant isobutene(R600a), a natural gas which is environmentally friendly. Although it is flammable, it does not damage the ozone layer and does



not increase the greenhouse effect. The use of this coolant has, however, led to a slight increase in the noise level of the appliance. You might be able to hear the coolant flowing around the system.

This is unavoidable, and does not have any adverse effect on the performance of the appliance. Care must be taken during the transportation and setting up the appliance that no parts of the cooling system are damaged. Leaking coolant can damage the eyes.

A wine cellar is the most practical space for storing wines. Its role is to balance the temperature and humidity inside so that your wine does not lose its taste and its aromas.

Due to these heavy operations, noises can be heard. Most of the time, this is normal noise.

Before calling technical service for assistance, please read these few lines.

These sounds are completely normal: buzzing, roaring, clicking, cracking ...

When the cellar has just stopped working, you may hear a buzzing, roaring, clicking or squealing noise. When the operation stabilizes, the sounds subside.

For direct cooling, some kind of irregular cracking, hissing, bubbling, crackling can often be heard when the compressor is running for a while or has just stopped. This sound is caused by the relief of stress due to expansion and contraction when temperature changes, and will not be affected by normal application of the product.

The compressor consists of an electric motor and a compression device. Due to the heat produced during the compression of the refrigerant, it is possible especially in summer when the ambient temperature is higher that heat is emitted by the cellar. All of these phenomena are normal.

To reduce some noises:

First, make sure your cellar is on a level surface.

Location is important, do not lean the cellar against the wall.

The bottles must be correctly loaded to avoid parasitic vibrations.

The noise may come from the circulation fan, check that nothing is interfering with its operation.

## **INSTALLATION INSTRUCTIONS**

### **Before putting your appliance into service**

- Remove all inner and outer packaging components.
- This appliance is designed to be free standing.
- Before connecting your device to a power supply, allow it to stand upright for about 2 hours. This reduces the risk of malfunction of the refrigeration system due to handling during transport.
- Clean the inner surfaces of the unit with a soft cloth and warm water.
- Leave 10cm of free space between the back and sides of the unit to allow for ventilation of the cooling system. Failure to do so will result in poor cooling performance, dust build up on the components and dramatically shorten the life of the product. It may also void the warranty.

### **Below are the guidelines for creating proper ventilation**

Ventilation basics: While the unit is cooling (removing the heat) from its interior, the removed heat is being dissipated through the condenser coil at the rear of appliance. This heat must be removed with proper air circulation and exhausted to the outside of the cabinet enclosure. If this is not done, excessive heat will build up inside the cabinet enclosure and prevent the unit from maintaining proper cooling, increase power consumption and overheat the electrical components.

- Place your unit on a floor strong enough to support the weight of the fully filled unit.
- Make sure the unit is level by adjusting the front feet underneath the unit. Make sure that the appliance rests on its feet in a stable manner.
- Install the appliance away from direct sunlight and heat sources (radiator, hot plate, etc.). Direct sunlight can damage the unit's coating and heat can increase its power consumption. If the ambient temperature is extremely cold or hot, this may prevent the unit from operating properly.
- The unit is not designed to be installed in a basement or cellar.
- This unit is designed exclusively for indoor use.

**Caution:** Make sure that the unit is kept away from any substance that may cause combustion.

- Check that the water tank is in place before connecting the unit.

# **CLEANING AND MAINTENANCE**

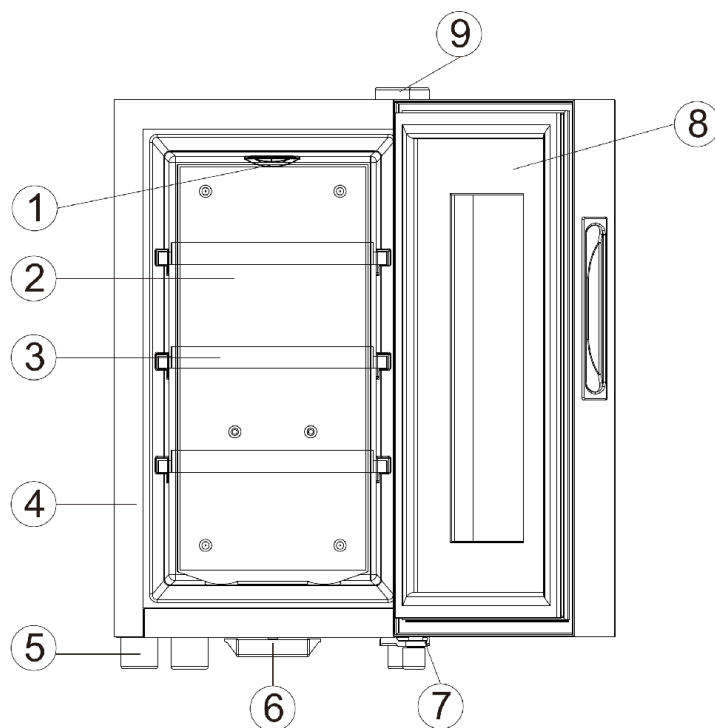
## **Cleaning your appliance**

- Unplug your appliance and take out all the bottles.
- Clean the outside of the unit with hot water and a mild detergent.
- Remove the water tank at the bottom of the unit, then wash it.

## **Moving your appliance**

- Remove all bottles and disconnect the appliance.
- Tape all loose parts inside your appliance.
- Turn the feet to adjust their height to the minimum to avoid damage.
- Tighten the door to keep it closed.
- Be sure to keep the appliance upright during transport.

## PRODUCT DESCRIPTION



1	Light
2	Cold Plate
3	Shelf
4	Cabinet
5	Feet
6	Water tray
7	Hinge stopper
8	Door
9	Hinge cover

## TECHNICAL SPECIFICATIONS

<b>Model No.</b>	<b>AGE8</b>
Capacity	8 bottles 75cl
Voltage	220-240V
Power consumption	70W(32°C)
Frequency	50Hz
Weight	10Kg
Dimensions (W x D x H)	260x495x470mm
Energy class	G
Energy consumption of 190kWh per year, calculated on the basis of the result obtained for 24 hours under standardized test conditions. Actual energy consumption depends on the operating conditions and location of the unit.	
Storage volume	23L
Coldest storage temperature	11°C
Design temperature	17°C
Climate class	N
This unit is designed for use at an ambient temperature between +16°C and +32°C	
Noise emissions	26dB

## **USE YOUR APPLIANCE**

Your cooler has an electric temperature control on the front of the unit. You may program of your cooler at any setting you desire. The temperature is adjusted in the range of 11-18°C in the cabinet.

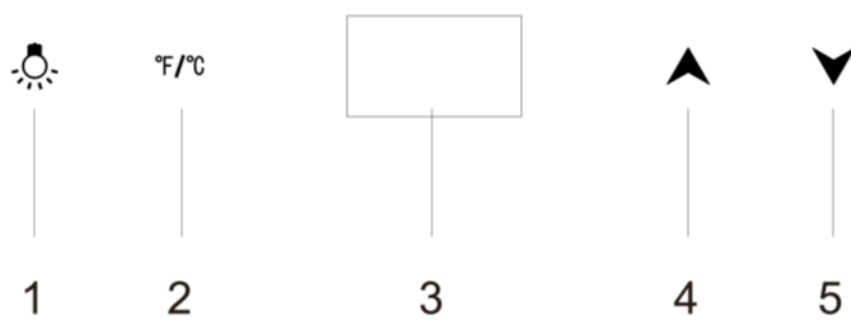
If the ambient temperature is higher or lower than the recommended temperatures, this will have a negative impact on its performance. For example, placing the unit in an extremely cold or hot place can cause variations in the internal temperature of the unit.

The internal temperature may vary depending on the location of the bottles, at the top, middle or bottom.

Adjustment may be necessary depending on the ambient temperature.

The cooler is designed for the maximum storage of 8 standard size (75cl) bottles of wine.

### **Control panel**



#### **1. LIGHT BUTTON**

#### **2. TEMPERATURE BUTTON**

#### **3. DISPLAY**

#### **4. TEMPERATURE UP BUTTON**

#### **5. TEMPERATURE DOWN BUTTON**

To minimize energy consumption, be sure to respect the filling capacity of your cooler—8 "Bordeaux 75cl" size bottles.

When you use the cooler for the first time or restart the cooler after having been shut off for a long time, there could be a few degrees variance between the temperature you select and the one indicated on the display. This is normal and is due to the length of the activation time. Once the wine cooler is running for a few hours everything will be back to normal.

If you are concerned that the temperature display of cooler is not correct and wish to check the temperature you will need a special fridge/freezer thermometer. You may also need a hygrometer to

check the humidity of your cooler. These are available from most supermarkets and hardware shops. Place the thermometer and hygrometer on the middle shelf of the electric cooler, where it can be read easily.

Leave overnight, compare the temperature of the thermometer and the display in the wine cooler. The humidity in the cooler should be between 50%-80% RH depending on the type of wine.

**NOTE:**

- When the power is connected, cooling system starts to work. The temperature is set on certain position, which means that if the temperature of appliance reach the point set, Self-control Temperature System stops cooling system so the temperature in the cabinet rises gradually.
- When the inside temperature rises above the set point, Cooling Self-control Temperature starts to work again, the cooler enter into cooling circles.
- After you setting the temperature, the display will return to show the temperature in the cooler, but it could turn to the point that you have set gradually.

**BREAKDOWNS AND SOLUTIONS**

Some malfunctions can be easily resolved. Before calling customer service or a repairer, please consult the following table:

PROBLEM	POSSIBLE CAUSES & SOLUTIONS
The appliance does not work.	Not connected. The circuit-breaker is tripped or the fuse is damaged. Check if the outlet is powered by connecting another electrical device.
The appliance is not cold enough	Check the temperature setting. High ambient temperature may require setting the appliance to a colder temperature. The door is being opened too often. The door is not completely closed. The door seal is not properly positioned. Not enough space around the wine cellar to allow ventilation.
The device operates continuously	The room temperature is higher than the maximum supported. A large number of bottles inside the appliance. The door is being opened too often. The door is not completely closed. Temperature control is not calibrated correctly. The door seal is not properly positioned.
The light doesn't work.	The appliance is not plugged in. The circuit-breaker has been tripped or a fuse is damaged. The LED lighting is out of order. The light button is set to "OFF".
Vibrations.	Check to make sure the appliance is level.

The appliance seems to be making too much noise.	The appliance is not level, or a foot is incorrectly adjusted.
The door does not close properly.	The appliance is not level. The shelves are out of position and blocking the door closure.
Water under the device	Water is being collected incorrectly in the water tank on the back of the unit. Check that the water tank is in place. Empty the water tank.

## ENVIRONMENT

### CAUTION:



Do not dispose of this product as it has with other household products. There is a separation of this waste product into communities, you will need to inform your local authorities about the places where you can return this product. In fact, electrical and electronic products contain hazardous substances that have harmful effects on the environment or human health and should be recycled. The symbol here indicates that electrical and electronic equipment should be chosen carefully, a wheeled waste container is marked with a cross.

Adeva SAS / H.Koenig Europe - 8 rue Marc Seguin - 77290 Mitry Mory - France

www.hkoenig.com - sav@hkoenig.com - contact@hkoenig.com - Tél: +33 1 64 67 00 05



# FRANÇAIS

## ⚡ AVERTISSEMENT ⚡

Pour réduire les risques d'incendie, d'électrocution ou de blessure lors de l'utilisation de votre refroidisseur, respectez ces précautions de base :

Lisez attentivement ce mode d'emploi avant d'utiliser l'appareil et conservez-le en lieu sûr.

- **AVERTISSEMENT** : en installant l'appareil, assurez-vous que le câble d'alimentation ne soit pas coincé ou abîmé.
- **AVERTISSEMENT** : ne placez pas de prise multiple ou de prise d'alimentation portable à l'arrière de l'appareil.
- **ATTENTION**: risque potentiel pour les enfants.
- Avant de jeter votre appareil usagé :  
Retirez ses portes et laissez les étagères en place afin qu'un enfant ne puisse pas facilement monter dedans.
- Ne laissez jamais les enfants utiliser, jouer avec ou

grimper dans l'appareil.

- Ne nettoyez jamais les éléments de l'appareil avec des liquides inflammables.
- N'entreposez ni utilisez d'essence ou tout autre liquide ou gaz inflammable à proximité d'un appareil électrique. Les vapeurs peuvent provoquer un incendie ou une explosion.
- Pour nettoyer votre appareil, n'utilisez pas de nettoyeurs abrasifs ou de solvants.
- Laissez 10 cm d'espace autour de l'appareil pour permettre la ventilation du système de refroidissement.
- Afin de conserver vos bouteilles de vin à une température stable, évitez de laisser la porte ouverte trop longtemps.
- N'installez pas votre appareil à proximité d'une source

de chaleur et évitez les rayons directs du soleil.

- Installez votre appareil sur un sol plat, propre et stable.
- N'installez aucun autre équipement électrique sur votre appareil.
- Pour assurer votre sécurité, ne placez pas votre appareil dans des endroits humides.
- Ne gardez pas d'aliments périssables dans cet appareil car la température intérieure peut ne pas être assez froide pour cela.
- Cet appareil de refroidissement ne doit pas être encastré.
- Cet appareil de refroidissement n'est pas conçu pour congeler les aliments.
- Cet appareil est destiné à être utilisé dans des applications domestiques et similaires telles que :
  - les zones de cuisine dans les magasins, les bureaux et autres environnements de travail

- les fermes
  - dans les hôtels, les motels et autres environnements de type résidentiel
  - les chambres d'hôtes.
- 
- Cet appareil est conçu pour être utilisé à l'intérieur d'une maison ou d'un appartement. Il est essentiel que la température de la pièce dans laquelle il est utilisé ne soit pas inférieure à 16°C ni supérieure à 32°C pour un fonctionnement optimal.
  - Les enfants âgés de 3 à 8 ans ne sont pas autorisés à remplir ou vider cet appareil de refroidissement.
  - Cet appareil peut être utilisé par des enfants d'au moins 8 ans, à condition qu'ils soient surveillés et qu'ils aient reçu des instructions sur l'utilisation de

l'appareil en toute sécurité et qu'ils soient pleinement conscients des dangers encourus.

- Le nettoyage et l'entretien ne doivent pas être effectués par des enfants, sauf s'ils ont au moins 8 ans et sont surveillés par un adulte.
- Gardez l'appareil et son câble d'alimentation hors de portée des enfants de moins de 8 ans.
- Lors de l'utilisation d'équipements électriques, des précautions doivent toujours être prises pour éviter les risques d'incendie, de décharge électrique et de blessure en cas de mauvaise utilisation.
- Assurez-vous que la tension nominale indiquée sur la plaque signalétique corresponde à la tension principale de votre installation. Si ce n'est pas le cas, contactez le revendeur et ne branchez pas l'appareil.

- L'appareil ne doit pas être utilisé s'il est tombé ou s'il présente des signes évidents de dommages ou des fuites.
- Veuillez conserver ce mode d'emploi en lieu sûr et le remettre au futur propriétaire en cas de transfert de votre appareil.
- Cet appareil peut être utilisé par des personnes dont les capacités physiques, sensorielles ou mentales sont réduites ou dont l'expérience ou les connaissances ne sont pas suffisantes, à condition qu'elles bénéficient d'une surveillance ou qu'elles aient reçu des instructions quant à l'utilisation de l'appareil en toute sécurité et qu'elles en comprennent bien les dangers potentiels.
- Les enfants ne doivent pas jouer avec l'appareil.

- Le nettoyage et l'entretien ne doivent pas être effectués par des enfants laissés sans surveillance.
- Pour éviter la contamination du vin, veuillez respecter les consignes suivantes :
  - L'ouverture prolongée de la porte peut provoquer une augmentation importante de la température intérieure de l'appareil.
  - Nettoyer régulièrement les surfaces pouvant entrer en contact avec les aliments et le système de drainage.
- - Si l'appareil de refroidissement doit être laissé vide pendant de longues périodes, éteignez-le, dégivrez, nettoyez, séchez et laissez la porte ouverte pour éviter la formation de moisissures dans l'appareil.
- Ne mettez aucune substance explosive comme les aérosols contenant un gaz propulseur inflammable

dans cet appareil.

- Si le câble d'alimentation est endommagé, il doit être remplacé par le fabricant, son technicien ou toute personne qualifiée afin d'éviter un accident.
- Les étagères sont disposées en usine afin d'assurer une utilisation plus efficace de l'énergie de l'appareil de refroidissement.
- Si les aliments sont conservés pendant une longue période, il est recommandé de les envelopper dans un film plastique et de baisser la température.

Cet appareil possède des avantages uniques :

- ◇ Le système de refroidissement thermoélectrique est extrêmement discret, contrairement aux appareils conventionnels qui ont des compresseurs beaucoup plus bruyants.



- ◇ Moins de vibrations pour préserver la qualité des vins.
- ◇ Une petite taille qui prend moins de place.

**ATTENTION :** Étant donné que les gaz réfrigérants sont combustibles, vous devrez faire appel à un professionnel pour les retirer de l'appareil avant de vous en débarrasser.

**AVERTISSEMENT :** N'installez pas ce produit dans un endroit où les enfants peuvent le manipuler et ne les laissez pas l'utiliser seuls.

### Mise au rebut

Pour éviter tout dommage à l'environnement ou à la santé humaine causé par l'élimination incontrôlée des déchets électriques, recyclez l'appareil de manière responsable afin de permettre la réutilisation des composants. L'élimination

doit se faire en toute sécurité dans les points de collecte publics prévus à cet effet.

Les réfrigérateurs plus anciens peuvent contenir des CFC qui détruisent la couche d'ozone; contactez votre centre de traitement des déchets le plus proche pour plus de détails sur les procédures d'élimination appropriées.

Cet appareil contient du liquide de refroidissement isobutane (R600a), un gaz naturel respectueux de l'environnement. Bien qu'il soit inflammable, il n'endommage pas la couche d'ozone et n'augmente pas l'effet de serre. L'utilisation de ce liquide de refroidissement a cependant conduit à une légère augmentation du niveau sonore de l'appareil. Vous

pourriez peut-être entendre le liquide de refroidissement s'écouler dans le système.

Ceci est inévitable et n'a aucun effet négatif sur les performances de l'appareil. Lors de son transport et de son installation, il faut veiller à ce qu'aucune pièce du système de refroidissement ne soit endommagée. Une fuite du liquide de refroidissement peut abîmer les yeux.

Une cave à vin est l'espace le plus pratique pour stocker les vins. Son rôle est d'équilibrer la température et l'humidité à l'intérieur afin que votre vin ne perde pas son goût et ses arômes. En raison de ces opérations lourdes, des bruits peuvent se faire entendre. Le plus souvent, ces bruits sont normaux.

Avant de faire appel au service technique pour obtenir de l'aide merci de prendre connaissance de ces quelques lignes.

Ces sons sont tout à fait normaux : bourdonnement, grondement, cliquetis, craquement...

Lorsque la cave vient de s'arrêter de fonctionner, il se peut qu'un bourdonnement, un grondement, des cliquetis ou bruit strident se fassent entendre. Lorsque l'opération se stabilise les sons s'atténuent.

Pour le refroidissement direct, une sorte de bruit de fissure irrégulier, un sifflement, un bouillonnement, un craquement peut souvent être entendu lorsque le compresseur fonctionne pendant un certain temps ou vient de s'arrêter. Ce son est causé par le soulagement du stress dû à l'expansion et à la contraction lorsque la température change, et ne sera pas affecté l'application normale du produit.

Le compresseur se compose d'un moteur électrique et d'un appareil de compression. En raison de la chaleur produite lors de la compression du réfrigérant, il est possible surtout en été lorsque la température ambiante est plus élevée que de la chaleur soit émise de la cave. Tous ces phénomènes sont normaux.

Pour réduire certains bruits :

Dans un premier temps, vérifiez que votre cave soit sur une surface plane.  
L'emplacement a son importance, ne pas plaquer la cave contre le mur.  
Le chargement des bouteilles doit être bien fait pour éviter les vibrations parasites.  
Le bruit peut provenir du ventilateur de brassage, vérifiez que rien ne gêne son fonctionnement.

## **INSTRUCTIONS D'INSTALLATION**

### **Avant de mettre votre appareil en service**

- Retirez l'emballage extérieur et intérieur.
- Cet appareil est conçu pour être autonome.
- Avant de brancher le refroidisseur de vin, laissez-le reposer pendant environ 2 heures. Ceci réduira la possibilité d'un mauvais fonctionnement du système de refroidissement après le transport. Nettoyez la surface intérieure à l'eau tiède avec un chiffon doux.
- Laissez 10 cm d'espace libre entre l'arrière et les côtés de l'appareil pour permettre la ventilation du système de refroidissement. Ne pas le faire réduira ses performances, permettra une accumulation de poussière sur les composants et raccourcira considérablement la durée de vie du produit. Cela peut également annuler la garantie.

### **Vous trouverez ci-dessous les recommandations pour créer une ventilation adéquate :**

Notions de base sur la ventilation : pendant que l'appareil refroidit (en retirant la chaleur de l'intérieur), la chaleur évacuée est dissipée par le serpentin du condenseur à l'arrière de l'appareil. Cette chaleur doit être évacuée par une circulation d'air appropriée et vers l'extérieur de l'enceinte de l'appareil. Si cela n'est pas fait, une chaleur excessive s'accumulera à l'intérieur du compartiment de l'appareil et l'empêchera de maintenir un refroidissement correct, augmentera la consommation d'énergie et surchauffera les composants électriques.

- Placez votre appareil sur un sol suffisamment solide pour supporter son poids quand il est plein de bouteilles.
- Assurez-vous que l'appareil soit à niveau en réglant les pieds avant. Assurez-vous qu'il repose sur ses pieds de manière stable.
- Installez l'appareil à l'abri de la lumière directe du soleil et des sources de chaleur (radiateur, plaque chauffante, etc.). La lumière directe du soleil peut endommager le revêtement de l'appareil et la chaleur peut augmenter sa consommation d'énergie. Si la température ambiante est extrêmement froide ou chaude, cela peut empêcher l'appareil de fonctionner correctement.
- L'appareil n'est pas conçu pour être installé dans un sous-sol ou une cave.
- Cet appareil est conçu exclusivement pour une utilisation en intérieur.

**Attention** : Assurez-vous que l'appareil soit éloigné de toute substance pouvant causer un incendie.

- Vérifiez que le réservoir d'eau soit en place avant de brancher l'appareil.

## **NETTOYAGE ET TRANSPORT**

### **Nettoyage de votre appareil**

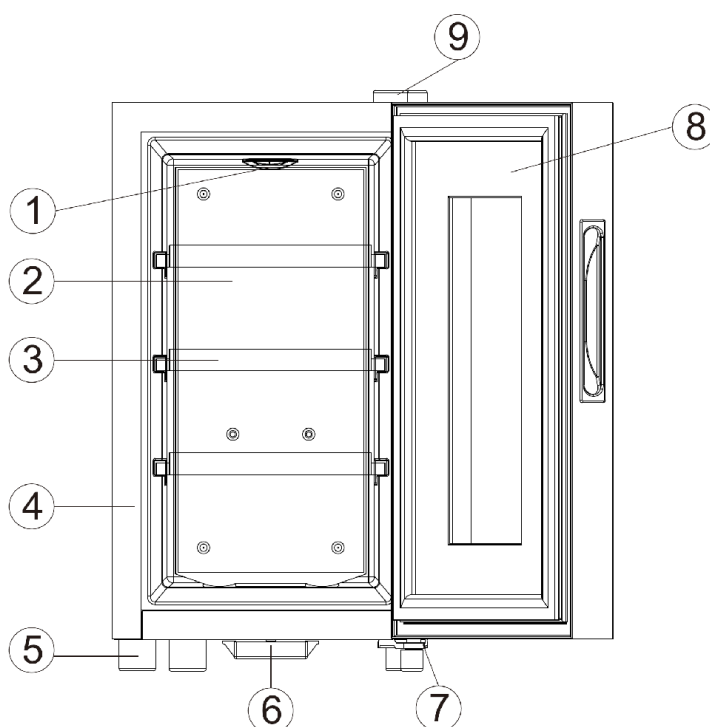
- Débranchez votre appareil et sortez toutes les bouteilles.

- Nettoyez l'extérieur et l'intérieur de l'appareil avec de l'eau chaude et un détergent doux.
- Retirez le réservoir d'eau au bas de l'appareil, puis lavez-le.

## Transport de votre appareil

- Retirez toutes les bouteilles et débranchez l'appareil.
- Scotchez toutes les pièces amovibles à l'intérieur de votre appareil.
- Vissez les pieds au maximum pour éviter de les abîmer.
- Scotchez la porte pour la maintenir fermée.
- Veillez à maintenir l'appareil en position verticale pendant le transport.

### DESCRIPTION DU PRODUIT



1	Lampe
---	-------

2	Plaque réfrigérante
3	Étagère
4	Console
5	Pieds
6	Bac récupérateur d'eau
7	Butée de charnière
8	Porte
9	Couvercle de charnière

### **CARACTÉRISTIQUES TECHNIQUES**

<b>Modèle</b>	<b>AGE8</b>
Capacité	8 bouteilles de 75 cl
Tension	220 – 240 V
Consommation d'énergie	70 W (32°C)
Fréquence	50 Hz
Poids	10 kg
Dimensions (L x P x H)	260x495x470 mm
Classe énergétique	G
<p>Consommation d'énergie de 190 kWh par an, calculée sur la base du résultat obtenu pendant 24 heures dans des conditions d'essai normalisées. La consommation d'énergie réelle dépend des conditions de fonctionnement et de l'emplacement de l'appareil.</p>	
Volume de stockage	23 l
Température de stockage la plus froide	11°C



Température de conception	17°C	
Classe climatique	N	
Cet appareil est conçu pour une utilisation à une température ambiante comprise entre 16°C et 32°C		
Niveau sonore	26 dB	

## **UTILISATION DE L'APPAREIL**

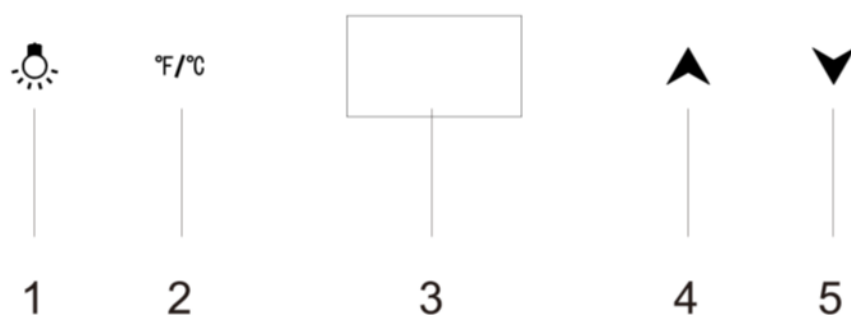
Votre refroidisseur dispose d'un contrôle électrique de la température à l'avant. Vous pouvez programmer votre appareil comme vous le voulez. La température est réglée dans la plage de 11-18°C.

Si la température ambiante est supérieure ou inférieure aux températures recommandées, cela aura un impact négatif sur ses performances. Par exemple, si l'appareil se trouve dans un endroit très froid ou très chaud, cela peut provoquer des variations de sa température interne.

La température interne peut varier selon que les bouteilles se trouvent en haut, au milieu ou en bas. Un réglage peut être nécessaire en fonction de la température ambiante.

Le refroidisseur de vin est conçu pour contenir un maximum de 8 bouteilles de vin de taille standard (75 cl).

### **Panneau de commande**



- 1. BOUTON DE LA LUMIÈRE**
- 2. TEMPERATURE**
- 3. ECRAN D’AFFICHAGE**
- 4. AUGMENTATION DE LA TEMPÉRATURE**
- 5. DIMINUTION DE LA TEMPÉRATURE**

Afin de minimiser la consommation d'énergie, veillez à respecter la capacité de remplissage de votre refroidisseur de vin – 8 bouteilles de Bordeaux de 75 cl.

Lorsque vous utilisez le refroidisseur de vin pour la première fois ou que vous le redémarrez après qu'il ait été éteint pendant une longue période, il peut y avoir un écart de quelques degrés entre la température que vous sélectionnez et celle indiquée sur l'affichage LED. Ceci est normal et est dû à la longueur du temps d'activation. Une fois que le refroidisseur de vin fonctionne pendant quelques heures, tout redevient normal.

Si vous craignez que l'affichage de la température de l'appareil ne soit pas correct et que vous souhaitez le vérifier, vous aurez besoin d'un thermomètre spécial pour réfrigérateur/congélateur. Vous aurez peut-être aussi besoin d'un hygromètre pour vérifier l'humidité à l'intérieur de votre refroidisseur. Ceux-ci sont en vente dans la plupart des supermarchés et des quincailleries. Placez

le thermomètre et l'hygromètre sur l'étagère du milieu où ils peuvent être lus facilement. Laissez reposer une nuit, comparez la température du thermomètre et celle de l'affichage sur le panneau de commande. L'humidité doit être comprise entre 50 % et 80 % d'HR selon le type de vin.

#### REMARQUE :

- Lorsque l'appareil est branché, le système de refroidissement commence à fonctionner. La température est réglée sur une certaine position, ce qui signifie que si la température de l'appareil atteint la valeur choisie, le système de température à contrôle automatique arrête le système de refroidissement afin que la température dans l'appareil augmente progressivement.
- Lorsque la température intérieure dépasse la valeur choisie, le système automatique de refroidissement recommence à fonctionner.
- Après avoir réglé la température sur le panneau, la température intérieure s'affichera de nouveau, puis évoluera progressivement jusqu'à atteindre celle que vous avez réglée.

#### GUIDE DE DÉPANNAGE

Certains dysfonctionnements peuvent être facilement résolus. Avant d'appeler le service client ou un réparateur, veuillez consulter le tableau suivant :

PROBLÈME	CAUSES ET SOLUTIONS POSSIBLES
L'appareil ne marche pas	Il n'est pas branché. Le disjoncteur est déclenché ou le fusible a fondu. Vérifiez si la prise est alimentée en branchant un autre appareil électrique.
L'appareil n'est pas assez froid	Vérifier le réglage de la température. Une température ambiante élevée peut nécessiter un réglage de l'appareil à une température plus froide. La porte est ouverte trop souvent. La porte n'est pas complètement fermée. Le joint de la porte n'est pas correctement positionné. Il n'y a pas assez d'espace autour de l'appareil pour permettre sa ventilation.
L'appareil fonctionne en continu	La température ambiante est supérieure au maximum acceptable. Il y a un grand nombre de bouteilles dans l'appareil. La porte est ouverte trop souvent. La porte n'est pas complètement fermée. Le contrôle de la température n'est pas réglé correctement. Le joint de la porte n'est pas correctement positionné.
La lumière ne fonctionne pas	L'appareil n'est pas branché. Le disjoncteur s'est déclenché ou le fusible a fondu. La lampe LED est cassée. Le bouton d'éclairage est réglé sur OFF.
Vibrations	Vérifiez que l'appareil soit à niveau.
L'appareil semble faire trop de bruit	L'appareil n'est pas à niveau ou un pied est mal réglé.

La porte ne se ferme pas correctement	L'appareil n'est pas à niveau. Les étagères bloquent la fermeture de la porte.
Il y a de l'eau sous l'appareil	L'eau de condensation n'est pas bien recueillie dans le réservoir à l'arrière de l'appareil. Vérifiez que le réservoir d'eau soit en place. Videz le réservoir d'eau.

## ENVIRONNEMENT

### ATTENTION :



Vous ne devez pas vous débarrasser de cet appareil avec vos déchets ménagers. Un système de collecte sélective pour ce type de produit est mis en place par les communes, vous devez vous renseigner auprès de votre mairie afin d'en connaître les emplacements. En effet, les produits électriques et électroniques peuvent contenir des substances dangereuses qui ont des effets néfastes sur l'environnement ou la santé humaine et doivent être recyclés. Le symbole ci-contre indique que les équipements électriques et électroniques font l'objet d'une collecte sélective, il représente une poubelle sur roues barrée d'une croix.

Adeva SAS / H.Koenig Europe - 8 rue Marc Seguin - 77290 Mitry Mory – France

www.hkoenig.com - sav@hkoenig.com - contact@hkoenig.com - Tél: +33 1 64 67 00 05

# DEUTSCH

## ⚡ WARNUNG ⚡

Um das Risiko eines Brandes, eines Stromschlages oder Verletzungen bei der Nutzung des Gerätes zu vermeiden, folgen Sie bitte diesen grundlegenden Vorsichtsmaßnahmen:

Lesen Sie diese Bedienungsanweisungen vor der Nutzung sorgfältig und bewahren Sie diese als künftige Referenz auf.

- **WARNUNG:** Wenn Sie das Gerät positionieren, vergewissern Sie sich, dass das Stromkabel nicht gefangen oder beschädigt ist.
- **WARNUNG:** Platzieren Sie keine tragbaren Mehrfachsteckdosen oder tragbaren Netzteile hinter dem Gerät.
- **WARNUNG:** Einklemmrisiko für Kinder.
- Bevor Sie Ihr Gerät entsorgen:

Nehmen Sie alle Türe ab und lassen Sie die Regale im Kühlschrank, damit keine Kinder einfach in das Gerät klettern können.

- Erlauben Sie Kindern niemals das Gerät zu bedienen, damit zu spielen oder in das Gerät zu klettern.
- Reinigen Sie die Teile des Gerätes niemals mit entflammbaren Flüssigkeiten.
- Benutzen oder Lagern Sie kein Benzin oder keine anderen entflammbaren Stoffe oder Gase in der Nähe von diesem oder anderen Geräten. Dämpfe stellen eine Explosionsgefahr dar.
- Benutzen Sie keine abrasiven Reinigungs- oder Lösungsmittel, um das Gerät zu reinigen.
- Lassen Sie einen 10 cm Abstand zu dem Hinterteil und den Seiten des Gerätes, um eine Belüftung des

Kühlsystems zu ermöglichen.

- Um Ihre Weine bei einer stabilen Temperatur zu lagern, vermeiden Sie es, die Tür für zu lange offen zu lassen.
- Installieren Sie Ihr Gerät nicht in der Nähe von Hitzequellen und vermeiden Sie direkte Sonneneinstrahlung.
- Installieren Sie Ihr Gerät auf einer flachen, sauberen und stabilen Bodenfläche.
- Platzieren Sie keine elektrischen Geräte auf Ihrem Gerät.
- Um Ihre Sicherheit zu gewährleisten, platzieren Sie Ihr Gerät nicht an feuchten Stellen.
- Lagern Sie keine verderblichen Lebensmittel in diesem Gerät, da die Innentemperatur nicht ausreichend kalt für eine sachgemäße Lagerung sein könnte.

- Dieses Kühlgerät ist nicht dafür geeignet, als ein eingebautes Gerät benutzt zu werden.
- Dieses Kühlgerät ist nicht zum Einfrieren von Lebensmitteln geeignet.
- Dieses Gerät ist für die Verwendung in Haushalten und ähnlichen Bereichen vorgesehen, wie z. B.
  - Küchenbereiche in Geschäften, Büros und anderen Arbeitsumgebungen
  - in Bauernhäusern
  - in Hotels, Motels und anderen Wohnbereichen
  - Gästezimmern.
- Dieses Gerät ist für die Innennutzung in einem Haus oder einer Wohnung geeignet. Für die optimale Leistung ist es wichtig, dass die Raumtemperatur, wo das Gerät benutzt wird, nicht niedriger als 16° C und nicht höher als 32°C ist.



- Kinder zwischen 3 und 8 Jahren dürfen Kühlgeräte beladen oder entladen.
- Dieses Gerät darf von Kindern ab 8 Jahre benutzt werden, solange sie beaufsichtigt werden oder Anweisungen erhielten, wie das Gerät sicher zu benutzen ist, und kennen die damit verbundenen Gefahren.
- Die Reinigung und Wartung dürfen nicht von Kindern durchgeführt werden, es sei denn sie sind über 8 Jahre alt und werden von einem Erwachsenen beaufsichtigt.
- Halten Sie das Gerät und sein Stromkabel außer Reichweite von Kindern unter 8 Jahren.
- Während der Nutzung von elektrischen Geräten müssen grundlegende Sicherheitsanweisungen immer beachtet werden, um das Risiko eines Brandes, eines

Stromschlages und/oder einer Verletzung im Falle des Missbrauchs zu vermeiden.

- Vergewissern Sie sich, dass die auf dem Typenschild angegebene Spannung mit der Hauptspannung Ihrer Einrichtung übereinstimmt. Wenn dies nicht der Fall ist, kontaktieren Sie den Händler und schließen Sie das Gerät nicht an.
- Das Gerät darf nicht benutzt werden, wenn es fallen gelassen wurde, wenn es sichtbare Anzeichen einer Beschädigung aufweist oder eine Leckage hat.
- Halten Sie bitte dieses Dokument griffbereit und geben Sie es an den künftigen Besitzer im Falle der Übergabe des Gerätes weiter.
- Dieses Gerät kann von Personen mit eingeschränkten körperlichen, sensorischen oder geistigen Fähigkeiten

oder mangelnder Erfahrung und Kenntnis benutzt werden, vorausgesetzt, dass sie beaufsichtigt oder in der sicheren Benutzung des Gerätes unterwiesen werden und die möglichen Gefahren vollständig verstehen.

- Kinder dürfen mit dem Gerät nicht spielen.
- Die Reinigung und Wartung dürfen nicht von unbeaufsichtigten Kindern durchgeführt werden.
- Um eine Lebensmittelkontaminierung zu vermeiden, bitte befolgen Sie die folgenden Anweisungen:
  - Das Öffnen der Tür für eine längere Zeit kann zu einer deutlichen Steigerung der Temperatur in den Fächern des Gerätes führen.

- Reinigen Sie regelmäßig die Flächen, die in Kontakt mit Lebensmitteln und erreichbaren Drainagesystemen kommen können.
- - Wenn das Kühlgerät für eine längere Zeit leer steht, schalten Sie es aus, entfrosteten und trocknen Sie es und lassen Sie die Tür offen, um der Entstehung von Schimmel in dem Gerät vorzubeugen.
- Lagern Sie keine explosiven Stoffe wie z.B. Aerosoldosen mit entflammbaren Treibgasen in diesem Gerät.
- Wenn das Stromkabel beschädigt ist, muss es von dem Hersteller, seinem Dienstleister oder einer ähnlich qualifizierten Person ersetzt werden, um Gefahren zu vermeiden.
- Die von der Fabrik vorgegebene Platzierung von

Regalen gewährleistet die effizienteste Energienutzung für Kühlgeräte.

- Wenn Lebensmittel für längere Zeit gelagert werden, ist es empfehlenswert, diese in Frischhaltefolie einzuwickeln und die Temperatur niedriger einzustellen.
- Durch den Kauf dieses Gerätes bekommen Sie ein Gerät, das einzigartige Vorteile kombiniert:
  - ◇ Das thermoelektrische Kühlungssystem ist extremst leise, im Gegensatz zu gewöhnlichen Geräten mit viel lauterem Kompressoren.
  - ◇ Weniger Vibrationen: um die Qualität des Weines zu bewahren.
  - ◇ Kompakte Größe, nimmt wenig Raum ein.

**ACHTUNG:** Da die Kältemittelgase brennbar sind, muss der Weinkühler von Fachkräften entsorgt werden, wenn dieser nicht mehr benutzt wird.

**WARNUNG:** Benutzen Sie dieses Produkt nicht an Stellen, wo Kinder es berühren können, und lassen Sie keine Kinder allein mit dem Gerät.

### **Entsorgung**

Um jegliche Umwelt- und Gesundheitsschäden durch die unkontrollierte Entsorgung von elektrischen Abfällen auszuschließen, recyceln Sie das Gerät verantwortungsvoll, um die Wiederverwendung von Materialressourcen zu fördern.

Die Entsorgung muss sicher an den zur Verfügung gestellten öffentlichen Sammelstellen erfolgen.

Ältere Geräte könnten FCKW beinhalten, das die Ozonschicht zerstört; kontaktieren Sie die nächstliegende Entsorgungsstelle für weitere Informationen über einen sachgemäßen Entsorgungsvorgang.

Dieses Gerät enthält das Kältemittel Isobutan (R600a), ein Naturgas mit hoher Umweltverträglichkeit. Obwohl es brennbar ist, beschädigt es nicht die Ozonschicht und erhöht nicht den Treibhauseffekt. Die Verwendung dieses umweltfreundlichen Kältemittels hat jedoch zu einer Erhöhung der Betriebsgeräusche geführt.

Dementsprechend können es Strömungsgeräusche im gesamten Kältekreislauf auftreten.

Diese Effekte sind nicht vermeidbar, haben aber auf die Leistungsfähigkeit des Gerätes keinen Einfluss.

Achten Sie beim Transports und der Installation des Gerätes darauf, dass keine Komponenten des Kühlsystems beschädigt werden. Eine Kältemittel-Leckage kann die Augen schädigen.

Der Weinkeller ist der beste Ort, um Ihre Weine zu lagern. Seine Aufgabe besteht darin, die Temperatur und die Feuchtigkeit im Innenraum zu regeln, so dass Ihr Wein seinen Geschmack und sein Aroma nicht verliert. Wegen des starken Betriebs können bestimmte Geräusche hörbar sein. Die meiste Zeit sind das normale Töne. Bevor Sie technisches Support anfordern, lesen Sie bitte die folgenden Angaben.

Diese Geräusche sind vollkommen normal: das Summen, Rauschen, Klicken, Kracken...

Wenn der Weinkeller den Betrieb gerade eingestellt hat, können Sie ein Summ-, Rausch-, Klick- oder Quietschgeräusch hören. Wenn sich die Operation stabilisiert, werden die Geräusche nachlassen.

Beim direkten Abkühlen können zahlreiche Geräusche wie Knacken, Zischen, Blubbern, Knistern gehört werden, wenn der Kompressor für einige Zeit läuft oder gerade angehalten hat. Dieses Geräusch wird durch Spannungsentlastung wegen der Ausdehnung und Kontraktion verursacht, wenn sich die Temperatur verändert; Dadurch wird die Leistung des Gerätes nicht beeinflusst. Der Kompressor besteht aus einem elektrischen Motor und einem Kompressionsgerät. Es ist möglich in Sommer, wenn die Umgebungstemperatur höher ist, dass die Hitze, die durch die Kompression des Kältemittels erzeugt wird, von dem Weinkeller abgegeben wird. Alle diese Phänomene sind normal.

Um die Geräusche zu reduzieren:

Zuerst vergewissern Sie sich, dass der Weinkeller auf einer ebenen Fläche steht.

Die Platzierung ist wichtig, lehnen Sie den Keller nicht gegen die Wand an.

Die Flaschen müssen richtig beladen werden, um störende Geräusche zu vermeiden.

Das Geräusch kann von dem Umlufter kommen, überprüfen Sie, dass nichts seinen Betrieb behindert.



## **INSTALLATIONSANWEISUNGEN**

### **Bevor Sie Ihr Gerät in Betrieb nehmen**

- Entfernen Sie alle Außen- und Innenverpackungen.
- Dieses Gerät ist dafür geeignet, freistehend installiert zu werden.
- Bevor Sie den Weinkühler an der Energiequelle anschließen, lassen Sie ihn für ungefähr 2 Stunden aufrecht stehen. Dies wird die Möglichkeit einer Fehlfunktion, die in dem Kühlsystem wegen unsachgemäßer Behandlung während des Transports entstehen könnte, verringern. Reinigen Sie die Außenfläche mit lauwarmem Wasser und einem weichen Tuch.
- Lassen Sie einen 10 cm Abstand zu dem Hinterteil und den Seiten des Gerätes, um eine Belüftung des Kühlsystems zu ermöglichen. Die Nichtbeachtung dieser Bedingung wird zu einer schlechten Kühlleistung und zur Staubbildung auf den Komponenten führen, genauso wie die Lebensdauer des Gerätes dramatisch verringern. Dies kann auch die Garantie ungültig machen.

### **Untenstehend finden Sie die Richtlinien für eine ausreichende Belüftung**

Belüftungsgrundlagen: Während das Gerät von Innen abkühlt (entfernt die Hitze), wird die entfernte Hitze durch die Kondensatorspirale hinten auf dem Gerät abgeleitet. Diese Hitze muss durch eine gute Belüftung entfernt und aus dem Kellergehäuse abgeleitet werden. Wenn dies nicht erfolgt, wird sich die überschüssige Hitze innen in dem Schrankgehäuse bilden, die Aufrechterhaltung ausreichender Kühlung in dem Gerät verhindern, den Stromverbrauch erhöhen und die elektrischen Komponenten überhitzen.

- Platzieren Sie das Gerät auf dem Boden, der stark genug ist, um das Gewicht des vollbeladenen Weinkellers zu tragen.
- Vergewissern Sie sich, dass das Gerät eben ist, indem Sie die vorderen Füße unter dem Gerät anpassen. Vergewissern Sie sich, dass das Gerät stabil auf den Füßen steht.
- Installieren Sie das Gerät fern von direkter Sonneneinstrahlung und Hitzequellen (Radiatoren, Heizplatten usw.). Direktes Sonnenlicht kann die Beschichtung des Gerätes beschädigen und den Stromverbrauch erhöhen. Wenn die Umgebungstemperatur extrem heiß oder kalt ist, kann es den ordnungsgemäßen Betrieb des Gerätes behindern.
- Das Gerät ist nicht dafür geeignet, im Untergeschoss oder in einem Keller installiert zu werden.
- Dieses Gerät ist ausschließlich für die Nutzung in Innenräumen geeignet.

**Achtung:** Vergewissern Sie sich, dass das Gerät fern von Stoffen platziert wird, die brennen können.

- Überprüfen Sie, dass der Wasserbehälter eingesetzt ist, bevor Sie das Gerät anschließen.

## **REINIGUNG UND WARTUNG**

### **Ihr Gerät reinigen**

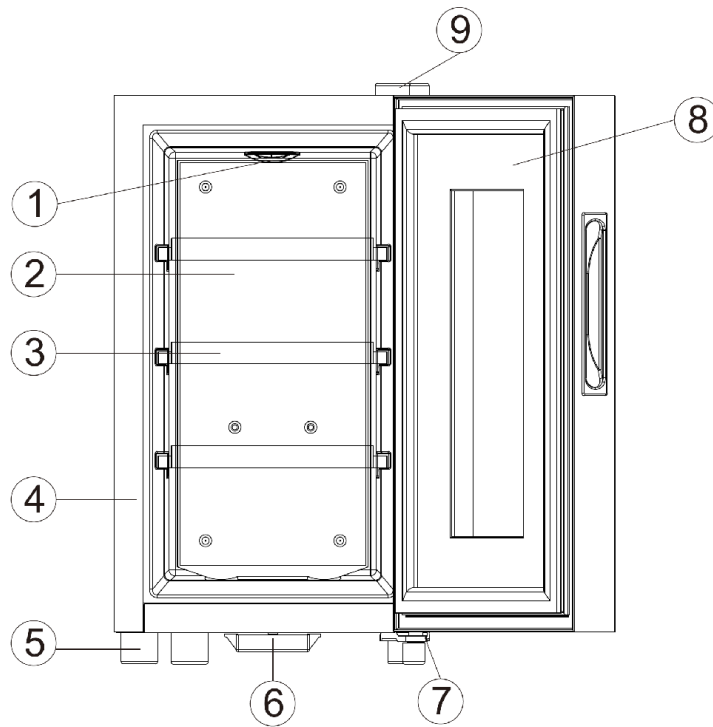
- Trennen Sie das Gerät vom Netz und entnehmen Sie alle Flaschen.

- Reinigen Sie die Außenfläche des Gerätes mit heißem Wasser und einem milden Spülmittel.
- Entnehmen Sie den Wasserbehälter unten auf dem Gerät, dann reinigen Sie diesen.

## Ihr Gerät verstellen

- Entnehmen Sie alle Flaschen und trennen Sie das Gerät vom Netz.
- Sichern Sie alle losen Teile in Ihrem Gerät mit dem Klebeband.
- Drehen Sie die Füße, um Ihre Höhe bis zum Minimum einzustellen, um Beschädigungen zu vermeiden.
- Ziehen Sie die Tür an, um diese geschlossen zu halten.
- Achten Sie darauf, dass das Gerät während des Transports aufrecht bleibt.
- Vergewissern Sie sich, dass das Gerät während des Transports aufrecht steht.

### BESCHREIBUNG DES PRODUKTES



1	Licht
2	Kälteplatte
3	Regal
4	Kabinett
5	Füße
6	Wasserschale
7	Scharnierstopper
8	Tür
9	Oberes Scharnier

### **TECHNISCHE SPEZIFIKATIONEN**

<b>Model Nr.</b>	<b>AGE8</b>	
Kapazität	8 Flaschen 75cl	
Spannung	220-240V	
Stromverbrauch	70W(32°C)	
Frequenz	50Hz	
Gewicht	10Kg	
Abmessungen (Bx T x H)	260x495x470mm	

Energieklasse	G	
Der Energieverbrauch von 190kWh im Jahr, berechnet auf der Grundlage von Ergebnissen, die durch eine 24-stündige Untersuchung unter Testbedingungen erzielt wurden. Der tatsächliche Energieverbrauch hängt von den Einsatzbedingungen und die Umgebung des Gerätes ab.		
Specherumfang	23L	
Niedrigste Lagerungstemperatur	11°C	
Auslegungstemperatur	17°C	
Klimaklasse	N	
Das Gerät ist dafür geeignet, zwischen +16°C und +32°C zu funktionieren.		
Geräuschemissionen	26dB	

## **NUTZUNG IHRES GERÄTES**

Ihr Kühler verfügt vorne auf dem Gehäuse über eine elektrische Temperatursteuerung. Sie können Ihren Kühler für jede Einstellung programmieren, die Sie brauchen. Die Temperatur kann im Bereich zwischen 11-18°C in dem Weinschrank angepasst werden.

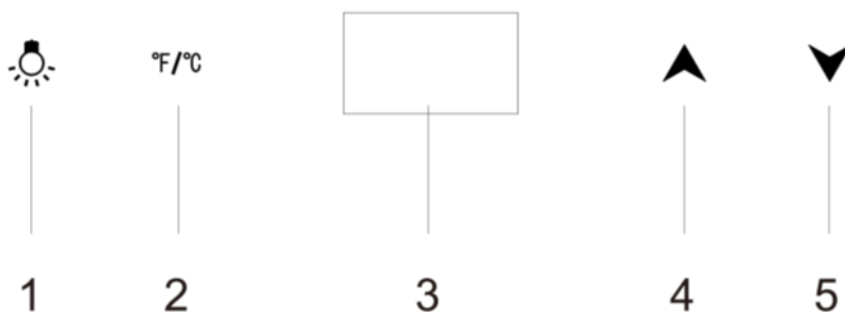
Wenn die Umgebungstemperatur höher oder niedriger als die empfohlene Temperatur ist, wird diese eine negative Auswirkung auf seine Leistung haben. Zum Beispiel, das Platzieren des Gerätes auf eine extrem kalte oder heiße Stelle kann zu Schwankungen in der Innentemperatur des Gerätes führen.

Die interne Temperatur kann in Zusammenhang mit der Platzierung von Flaschen oben, in der Mitte oder unten variieren.

Je nach der Umgebungstemperatur können Anpassung der Einstellung erforderlich sein.

Der Kühler ist ideal für die Lagerung von max. 8 Weinflaschen von Standardgröße (75cl) geeignet.

### **Bedienfeld**



1. **LICHTTASTE**
2. **TEMPERATURE**
3. **ANZEIGE**
4. **TASTE TEMPERATUR HÖHER**
5. **TASTE TEMPERATUR ABWÄRTS**

Um den Energieverbrauch zu reduzieren, beachten Sie die Füllkapazität Ihres Weinkühlers – die Größe von 8 "Bordeaux 75cl" Flaschen.

Wenn Sie Ihren Kühler zum ersten Mal benutzen oder das Gerät nach einer längeren Auszeit wieder in Betrieb nehmen, könnte es ein paar Grad Unterschied zwischen der ausgewählten und auf dem Display angezeigten Temperatur geben. Dies ist normal und hängt von der Länge der Aktivierungszeit ab. Sobald der Weinkühler für ein paar Stunden läuft, wird alles wieder normal.

Wenn Sie sich Sorgen machen, dass das Temperaturdisplay von dem Weinkühler nicht korrekt ist, und die Temperatur überprüfen wollen, werden Sie einen speziellen Kühlschrank/Kühlfach-Thermometer benötigen. Es könnte sein, dass Sie auch einen Hygrometer benötigen werden, um die Feuchtigkeit in Ihrem Kühler zu überprüfen. Diese erhalten Sie in meisten Supermärkten und Haushaltswarenläden. Platzieren Sie den Thermometer und Hygrometer auf das

mittlere Regal des elektrischen Kühlers, wo diese einfach abgelesen werden können. Lassen Sie diese über Nacht, und vergleichen Sie die Temperaturen auf dem Thermometer und auf dem Display des Weinkühlers. Die Feuchtigkeit in dem Kühler soll zwischen 50%-80% RH sein, je nach der Weinsorte.

**HINWEIS:**

- Wenn das Gerät angeschlossen ist, beginnt das Kühlsystem zu arbeiten. Die Temperatur ist auf eine bestimmte Position eingestellt, was bedeutet, dass wenn die Temperatur des Gerätes den eingestellten Wert erreicht, wird das selbststeuernde Temperatursystem das Kühlsystem einstellen, so dass die die Temperatur im Weinkeller langsam steigen wird.
- Wenn die Innentemperatur über den eingestellten Punkt steigt, nimmt das selbststeuernde Kühlsystem den Betrieb wieder auf, der Kühler betritt den Kühlungskreis.
- Nachdem Sie die Temperatur eingestellt haben, wird das Display zum Anzeigen der Temperatur in dem Kühler zurückkehren, es wird aber langsam auf die eingestellten Temperatur kommen.

**FEHLER UND LÖSUNGEN**

Manche Fehlfunktionen können einfach behoben werden. Bevor Sie den Kundendienst oder einen Fachmann anrufen, überprüfen Sie bitte die folgende Tabelle:

PROBLEM	MÖGLICHE URSACHEN & LÖSUNGEN
Das Gerät funktioniert nicht	Das Gerät ist nicht angeschlossen Der Schutzschalter wurde ausgelöst oder die Sicherung sind durchgebrannt. Überprüfen Sie, dass die Steckdose bestromt wird, indem Sie ein anderes Gerät anschließen.
Das Gerät ist nicht kühl genug	Überprüfen Sie die Temperatur-Kontrolleinstellung. Hohe Umgebungstemperatur kann die Einstellung des Gerätes auf die niedrigere Temperatur benötigen. Die Tür wird zu oft geöffnet. Die Tür ist nicht richtig geschlossen. Die Tür ist nicht richtig abgedichtet. Es gibt nicht genügend Raum rund um den Weinkeller für eine ausreichende Belüftung.
Das Gerät läuft kontinuierlich.	Die Außentemperatur ist höher als die maximal Zugelassene. Eine große Anzahl von Flaschen wurde in dem Gerät platziert. Die Tür wird zu oft geöffnet. Die Tür ist nicht richtig geschlossen. Die Temperatursteuerung wurde nicht korrekt eingestellt. Die Türdichtung ist nicht richtig platziert.
Das Licht funktioniert nicht.	Das Gerät ist nicht angeschlossen. Der Schutzschalter wurde ausgelöst oder die Sicherung ist durchgebrannt. Die LED Leuchten sind defekt. Der Leuchtschalter ist auf "AUS" eingestellt.

Vibrationen.	Vergewissern Sie sich, dass das Gerät eben platziert ist.
Das Gerät macht zu viel Lärm.	Das Gerät steht nicht eben, oder die Füßen wurden nicht richtig eingestellt.
Die Tür schließt nicht richtig	Das Gerät ist nicht eben. Die Regale sind nicht richtig platziert und blockieren die Tür.
Es gibt Wasser unter dem Gerät.	Wasser wird nicht richtig in dem Wasserbehälter hinten an dem Gerät gesammelt. Überprüfen Sie, dass der Wasserbehälter richtig eingesetzt ist. Entleeren Sie den Wasserbehälter.

## UMWELT

### ACHTUNG:



Werfen Sie nicht dieses Produkt, wie es mit anderen Haushaltsprodukten hat. Es gibt eine Mülltrennung von diesem Produkt in Gemeinden, Sie müssen Ihre lokalen Behörden über die Orte, wo man dieses Produkt zurückgeben können zu informieren. In der Tat enthalten elektrische und elektronische Produkte gefährliche Stoffe, die schädliche Auswirkungen auf die Umwelt oder die menschliche Gesundheit haben und sollte recycelt werden. Das Symbol hier darauf hinweisen, dass elektrische oder elektronische Geräte sollten sorgfältig ausgewählt werden, ist ein fahrbarer Abfallbehälter mit einem Kreuz markiert.

Adeva SAS / H.Koenig Europe - 8 rue Marc Seguin - 77290 Mitry Mory - France

www.hkoenig.com - sav@hkoenig.com - contact@hkoenig.com - Tél: +33 1 64 67 00 05



# NEDERLANDS

## ⚡WAARSCHUWING⚡

Om het risico op vuur, elektrische schok, of verwonding te verkleinen bij het gebruik van dit apparaat, volg deze voorzorgsmaatregelen:

Lees deze gebruikersinstructies zorgvuldig door voor gebruik en bewaar ze voor toekomstige referentie.

- **WAARSCHUWING:** Als u het apparaat plaatst dient u te zorgen dat de stroomkabel nergens klemt of beschadigd is.
- **WAARSCHUWING:** Plaats geen verdeelstekkers of draagbare stroomvoorzieningen achter het apparaat.
- **WAARSCHUWING:** Mogelijke risico voor kinderen.
- Voor de afvoer van uw gebruikte apparaat:  
Verwijder de deuren en laat de schappen zitten zodat een kind niet in het apparaat kan klimmen.
- Laat kinderen nooit het apparaat gebruiken, ermee spelen of erin kruipen.
- Nooit de onderdelen van het apparaat schoonmaken

met brandbare vloeistoffen.

- Gebruik geen benzine of andere brandbare gassen of vloeistoffen bij dit of elk ander apparaat. Dampen vormen stellen een risico op brand of explosie.
- Om uw apparaat schoon te maken, gebruik geen bijtende schoonmaakmiddelen.
- Laat 10 cm ruimte vrij achter en aan de zijkanten van het apparaat voor ventilatie van het koelingsstelsel.
- Om uw wijnen te bewaren bij een stabiele temperatuur, dient u de deur niet te lang open te laten staan.
- Installeer uw apparaat niet bij een warmtebron en vermijd direct zonlicht.
- Installeer uw apparaat op een vlak, schoon en stabiele vloer.

- Plaats geen andere elektrische apparaten op uw apparaat.
- Voor uw eigen veiligheid dient u uw apparaat niet op een vochtige plek te plaatsen.
- Bewaar geen voedsel in het apparaat omdat de temperatuur niet koud genoeg kan is.
- Dit koelend apparaat is niet bedoeld als een ingebouwd apparaat.
- Dit koelend apparaat is niet geschikt voor het afkoelen of bewaren van eten.
- Dit apparaat is bedoeld voor gebruik in huishoudens en soortgelijke ruimten, zoals:
  - keukenruimten in winkels, kantoren en andere werkomgevingen
  - in boerderijen
  - in hotels, motels en andere woonwijken
  - gastenkamers.

- Dit apparaat is ontworpen voor gebruik in een huis of appartement. Het is belangrijk dat de temperatuur in de kamer waar het gebruikt wordt niet lager wordt dan 16° C en hoger dan 32°C voor een optimale werking.
- Kinderen van 3 tot 8 jaar mogen koelende apparaten vullen of legen.
- Dit apparaat mag gebruikt worden door kinderen van minimaal 8 jaar als er toezicht wordt gehouden en ze instructies hebben gehad over hoe ze het apparaat moeten gebruiken en ze de gevaren begrijpen.
- Het schoonmaken en onderhoud mag niet worden uitgevoerd door kinderen tenzij ze 8 jaar of ouder zijn en er toezicht is.

- Houd het apparaat en de stroomkabel uit de buurt van kinderen jonger dan 8 jaar.
- Bij het gebruik van elektrische apparaten moeten altijd de standaard veiligheidsinstructies gevolgd worden om de kans op vuur, elektrische schokken en/of verwondingen te voorkomen.
- Controleer dat de aangegeven spanning op het typeplaatje overeenkomt met de spanning van uw spanningsbron. Als dit niet het geval is, neem dan contact op met de verkoper en sluit het apparaat niet aan.
- Het apparaat mag niet gebruikt worden als het gevallen is, als er duidelijk zichtbare schade is of als het lekt.

- Bewaar deze handleiding en geef het aan de toekomstige eigenaar als u het apparaat aan een ander geeft.
- Dit apparaat kan worden gebruikt door personen met verminderde fysieke, zintuiglijke of mentale vermogens of met gebrek aan ervaring of kennis, op voorwaarde dat zij onder toezicht staan of instructies hebben gekregen over het veilige gebruik van het apparaat en dat zij de mogelijke gevaren volledig begrijpen.
- Kinderen mogen niet met dit apparaat spelen.
- Schoonmaken en gebruikersonderhoud mogen niet worden uitgevoerd door kinderen zonder toezicht.
- Om contaminatie van voedsel te vermijden, dient u de volgende instructies op te volgen:

- Het voor langere tijd openen van de deur kan zorgen voor een significante stijging van de temperatuur in de compartimenten van het apparaat.
- Oppervlaktes regelmatig schoonmaken die in contact kunnen komen met voedsel en toegankelijke afluatsystemen.
- - Als het koelapparaat langere tijd leeg is, schakel het uit, ontdooi het, maak het schoon, droog het af en laat de deur open om schimmelvorming te voorkomen in het apparaat.
- Geen explosieve substantie zoals aerosol bussen met een brandbaar drijfgas in dit apparaat opslaan.
- Als de stroomkabel beschadigd is, dient deze te worden vervangen door de fabrikant, een servicemonteur of een gelijkwaardig gekwalificeerd

persoon om gevaren te vermijden.

- De plaatsing van de schappen zoals in de fabriek is gebeurd, is de efficiëntste manier voor koelende apparaten.
- Als voedsel langere tijd wordt opgeslagen, wordt het aanbevolen het in folie te wikkelen en de temperatuur lager te zetten.

Door de aankoop van dit apparaat heeft u een apparaat dat unieke voordelen combineert:

- ◇ Het thermo-elektrisch koelingssysteem is erg discreet, anders dan conventionele apparaten met veel luidere compressoren.
- ◇ Minder vibraties: om de kwaliteit van de wijnen te behouden.
- ◇ Klein formaat, neemt minder ruimte in.



**LET OP:** Omdat de koelgassen brandbaar zijn, dient een professionele monteur de elektrische koeler te verwijderen als het apparaat weggegooid wordt.

**WAARSCHUWING:** Zet dit product niet op een plek waar kinderen eraan kunnen komen en laat het niet door kinderen gebruikt worden.

### **Afvoer van apparaat**

Om mogelijke schade voor mens en milieu te voorkomen door de verkeerde afvoer van afval, recycle dit product verantwoord om het hergebruik van materiaal te promoten.

De afvoer dient veilig te gebeuren bij een publiek inzamelpunt die dit doel als functie heeft.

Oudere koelers kunnen mogelijk Cfk's bevatten die de ozonlaag vernietigen; neem contact op met een nabij

afvalinzamelingspunt voor meer informatie over de juiste afvoer ervan.

Dit apparaat bevat koelmiddel isobuteen (R600a), een natuurlijk gas dat milieuvriendelijk is. Al is het brandbaar, het beschadigt niet de ozonlaag en versterkt niet het broeikaseffect. Het gebruik van dit koelmiddel zorgt echter wel voor een lichte stijging van het geluidsniveau. U kunt mogelijk het koelmiddel door het systeem horen stromen. Dit is onvermijdelijk, en heeft geen tegenwerkend effect op de prestaties van het apparaat. Wees voorzichtig tijdens transport en de plaatsing van het apparaat zodat geen delen van het koelsysteem worden beschadigd. Lekkend koelmiddel kan schadelijk zijn voor de ogen.

Een wijnkoeler is de meest praktische ruimte om wijnen op te bergen. Zijn rol is om de temperatuur en luchtvochtigheid erin te balanceren zodat uw wijn niet zijn smaak en aroma's verliest. Door deze zware taak, kunnen er geluiden worden gehoord. Meestal zijn deze normale geluiden.

Voordat u de klantenservice belt, lees eerst de volgende regels.

Deze geluiden zijn heel normaal: zoemen, denderen, klikken, kraken...

Als de koeler net gestopt is met werken, kunt u mogelijk gezoem, gedender, geklik of gepiep horen. Als alles gekalmeerd is, verminderen de geluiden.

Bij zwaar koelen kan er ongewoon gekraak, gesis en geborrel gehoord worden als de compressor een tijdje heeft gedraaid en net is gestopt. Dit geluid wordt veroorzaakt door de opgebouwde spanning door het uitzetten en krimpen als de temperatuur verandert, en zal niet de normale werking van het product beïnvloeden.

De compressor bestaat uit een elektrische motor en een compressie-apparaat. Door de warmteproductie tijdens de compressie van het koelmiddel is het mogelijk, vooral in de zomer, als de omgevingstemperatuur hoger is en dat warmte vrijkomt van de koeler. Al deze fenomenen zijn normaal.

Om geluiden te beperken:

Eerst, controleer dat uw koeler op een vlakke grond staat.

De locatie is belangrijk, zet de koeler niet tegen de muur aan.

De flessen moeten correct worden geplaatst. Het vermijdt dat ze tegen elkaar trillen.

Er kan geluid komen van de circulatieventilator, controleer dat niets zijn werking beperkt.

## **INSTALLATIE INSTRUCTIES**

### **Voordat u uw apparaat gaat gebruiken**

- Verwijder het verpakkingsmateriaal aan de buiten- en binnenkant.
- Dit apparaat is ontworpen om in vrijstaand te worden geplaatst.
- Voordat u de wijnkoeler aansluit op het lichtnet, laat het eerst ongeveer 2 uur rechtop staan. Dit verkleint het risico dat het koelsysteem niet goed functioneert door verkeerd vervoer. Maak de binnenkant schoon met handwarm water en een zachte doek.
- Laat 10 cm ruimte vrij achter en aan de zijkanten van het apparaat voor ventilatie van het koelingssysteem. Door dit niet te doen wordt de koelingsprestatie verminderd, wordt er stof opgebouwd op de onderdelen en wordt de levensduur van het apparaat flink beperkt. Het kan ook de garantie laten vervallen.

### **Hieronder staan de richtlijnen voor goede ventilatie**

Standaard ventilatieregels: Als het apparaat koelt (de warmte verwijdert) uit de binnenkant, wordt de weggehaalde warmte afgestoten door de verdamperspoel aan de achterkant van het apparaat. Deze warmte moet worden verwijderd met een goede luchtcirculatie aan de buitenkant van het apparaat. Als dit niet gebeurt, kan de warmte niet weg uit het apparaat en kan er niet goed gekoeld worden, wordt het stroomverbruik hoger en worden elektrische onderdelen te warm.

- Plaats uw apparaat op een vloer die stevig genoeg is om het volle apparaat te dragen.
- Zorg dat het apparaat gelijk staat door de voorste poten onder het apparaat te verstellen. Zorg dat het apparaat stevig op de poten staat.
- Plaats het apparaat niet in direct zonlicht en bij warmtebronnen (verwarming, warmhoudplaatje, etc.). Direct zonlicht kan de laag om het apparaat beschadigen en warmte kan het stroomverbruik vergroten. Als de omgevingstemperatuur extreem koud of heet is, kan het apparaat mogelijk niet goed functioneren.
- Dit apparaat is niet ontworpen om te worden geplaatst in een kelder.
- Dit apparaat is ontworpen voor gebruik in huis.

**Waarschuwing:** Houd het apparaat weg van materialen die kunnen ontbranden.

- Controleer dat de watertank geplaatst is voordat uw het apparaat aansluit.

# **SCHOONMAAK EN ONDERHOUD**

## **Schoonmaken van uw apparaat**

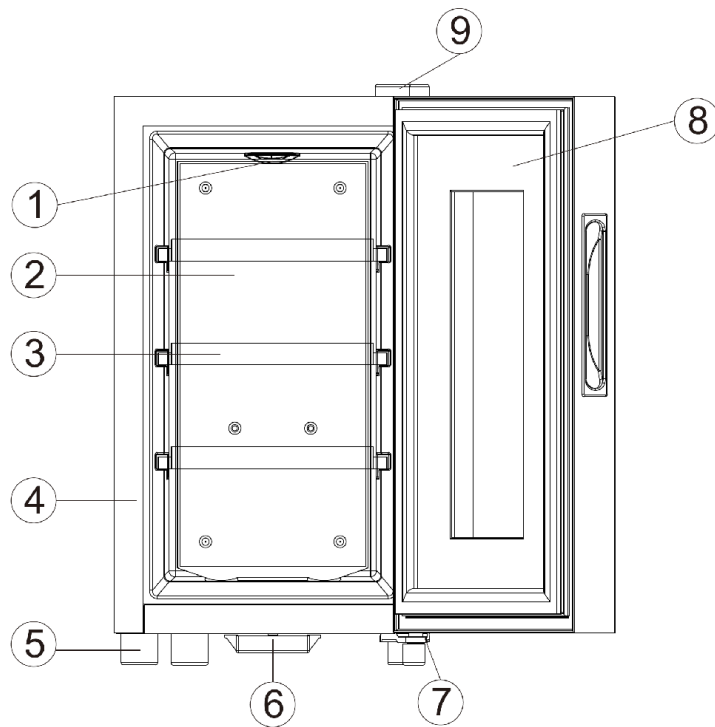
- Haal de stekker uit het stopcontact en haal alle flessen eruit.
- Maak de buitenkant van het apparaat schoon met heet water en mild schoonmaakmiddel.
- Verwijder de watertank onder uit het apparaat en was deze.

## **Verplaatsing van uw apparaat**

- Verwijder alle flessen en schappen uit het apparaat.
- Plak alle losse onderdelen in uw apparaat vast.
- Draai de poten zover mogelijk in om schade te vermijden.
- Sluit de deur goed.
- Zorg dat het apparaat rechtop blijft tijdens transport.



## PRODUCTBESCHRIJVING



1	Licht
2	Koude plaat
3	Rek
4	Kabinet
5	Voeten
6	Waterbak
7	Scharnierstopper
8	Deur
9	Scharnierafdekking

## TECHNISCHE SPECIFICATIES

<b>Model No.</b>	<b>AGE8</b>	
Inhoud	8 flessen van 75 cl	
Spanning	220-240V	
Vermogen	70W(32°C)	
Frequentie	50Hz	
Gewicht	10Kg	
Afmetingen (BxDxH)	260x495x470mm	
Energieklasse	G	
Energieverbruik van 190kWh per jaar, berekend op basis van het resultaat dat bereikt is na 24 uur gebruik onder normale testomstandigheden. Het daadwerkelijke verbruik hangt af van de gebruiksomstandigheden en locatie van het apparaat.		
Opslagvolume	23L	
Koudste opslagtemperatuur	11°C	
Ontworpen temperatuur	17°C	
Klimaatklasse	N	
Dit apparaat is ontworpen om gebruikt te worden bij een omgevingstemperatuur van +16°C en +32°C		
Geluidsniveau	26dB	



## **GEBRUIK VAN UW APPARAAT**

Uw wijnkoelkast heeft een elektrische temperatuurbediening aan de voorkant van het apparaat. U kunt uw wijnkoelkast instellen op u wensen. De temperatuur is instelbaar van 11 tot 18°C.

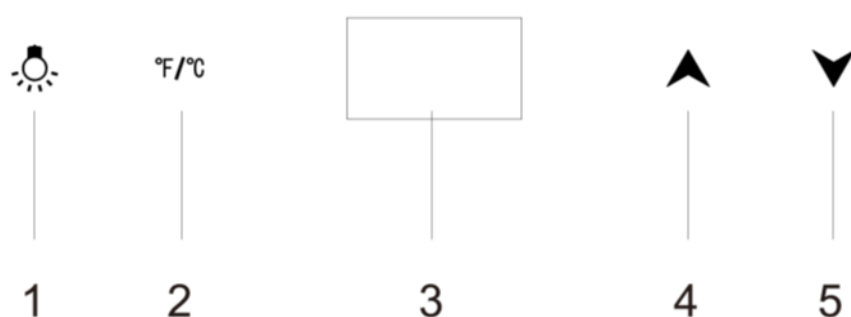
Als de omgevingstemperatuur hoger of lager is dan de aanbevolen temperaturen heeft dit een negatieve invloed op zijn prestaties. Bijvoorbeeld het plaatsen van het apparaat op een extreem koude of hete plek kan voor variaties zorgen van de temperatuur in het apparaat.

De temperatuur in het apparaat hangt af van de plaatsing van de flessen, bovenin, het midden of onderin.

Een aanpassing kan nodig zijn afhankelijk van de omgevingstemperatuur.

De koeler is ontworpen voor maximaal 8 standaard (75cl) wijnflessen.

### **Bedieningspaneel**



1. **LICHTKNOP**
2. **TEMPERATUUR**
3. **SCHERM**
4. **TEMPERATUURINSTELLINGSKNOP (OMHOOG)**
5. **TEMPERATUURINSTELLINGSKNOP(OMLAAG)**

Om het energieverbruik te beperken, zorg dat u de vulcapaciteit van uw koelkast respecteert – 8 "Bordeaux 75cl" flessen.

Als u de wijnkoeler voor het eerst gebruikt of opnieuw gebruikt na een lange periode uit gestaan te hebben, kan er een paar graden verschil zitten tussen de gekozen temperatuur en de aangegeven temperatuur op het display. Dit is normaal en komt door de lengte van de activatietijd. Als de wijnkoeler een paar uur heeft gewerkt zal alles weer normaal zijn.

Als u denkt dat de getoonde temperatuur van de koeler incorrect is en de temperatuur wilt controleren, dan heeft u een speciale koelkast/vriezer-thermometer nodig. U heeft mogelijk ook een hygrometer nodig om de vochtigheid in uw koeler te meten. Deze zijn te koop in meeste supermarkten en bouwmarkten. Plaats de thermometer en hygrometer op de middelste schap van de koelkast om ze goed af te kunnen lezen. Laat ze een nacht liggen en vergelijk dan de thermometer met die van de koelkast. De luchtvochtigheid in de koeler zou tussen 50%-80% RH moeten liggen, afhankelijk van de wijnsoort.

## OPMERKING:

- Als het apparaat stroomt, begint het koelsysteem te werken. De temperatuur is ingesteld op een bepaalde waarde, dat betekent dat als die temperatuur bereikt wordt in het apparaat dat het koelsysteem stopt met werken en dat de temperatuur weer langzaam omhoog gaat.
- Als de binnentemperatuur weer boven een bepaalde temperatuur komt, gaat het koelsysteem weer werken en gaat de temperatuur weer omlaag.
- Na het instellen van de temperatuur, zal het display weer de temperatuur van de binnenkant tonen, maar het kan even duren voor dat de gewenste temperatuur bereikt wordt.

## PROBLEMEN EN OPLOSSINGEN

Sommige storingen kunnen eenvoudig worden opgelost. Voordat u de klantenservice of monteur belt, raadpleeg eerst de volgende tabel:

<b>PROBLEEM</b>	<b>MOGELIJKE OORZAKEN &amp; OPLOSSINGEN</b>
Het apparaat werkt niet.	Niet aangesloten. Een stop ligt eruit, of een stroomonderbreker is gesprongen. Kijk of het stopcontact stroom geeft door een ander apparaat aan te sluiten.
Het apparaat wordt niet koud genoeg	Controleer de temperatuurinstelling. Een hoge omgevingstemperatuur vereist mogelijk een lagere instelling van het apparaat De deur wordt te vaak opengemaakt. De deur is niet goed dicht. De deurafdichting zit niet goed. Er is niet voldoende ruimte om de wijnkoeler voor ventilatie.
Het apparaat werkt continu	De kamertemperatuur is hoger dan het apparaat aankan. Er liggen te veel flessen in het apparaat. De deur wordt te vaak opengemaakt. De deur is niet goed dicht. De temperatuurbediening is niet goed gekalibreerd. De deurafdichting zit niet goed.
De verlichting werkt niet.	De stekker van het apparaat is niet aangesloten. Een stop ligt eruit, of een stroomonderbreker is gesprongen. De LED-verlichting is kapot. De lichtknop staat op 'OFF'.
Vibraties.	Controleer dat het apparaat waterpas staat.
Het apparaat lijkt veel geluid te maken.	Het apparaat staat niet waterpas, of een poot is niet goed afgesteld.
De deur sluit niet goed.	Het apparaat staat niet waterpas. De schappen zitten niet goed en blokkeren de deur.
Water onder het apparaat	Het water komt niet goed samen in de watertank aan de achterkant van het apparaat.

	Controleer dat de watertank geplaatst is. Leeg de watertank.
--	---

## MILIEU

### ATTENTIE:



Dit apparaat mag niet met uw ander huishoudelijke toestellen worden verwijderd. Dit product moet op een geselecteerde stortplaats verwijderd worden. U kunt bij de gemeente een indiceerde plaats aanvragen. Elektrisch en elektronische producten kunnen gevaarlijke stoffen inhouden die schadelijk zijn voor mensen en het milieu en moet recycled worden. Het symbool aan de kant geeft aan dat het een elektrisch en elektronisch toestel is en zijn dus artikelen van een selectieve collectie. Het beeld geeft een afvalbak met een X teken aan.

Adeva SAS / H.Koenig Europe - 8 rue Marc Seguin - 77290 Mitry Mory - France

www.hkoenig.com - sav@hkoenig.com - contact@hkoenig.com - Tél: +33 1 64 67 00 05

# ESPAÑOL

## **MEDIDAS IMPORTANTES DE SEGURIDAD**

<b>ADVERTENCIA</b>
--------------------

Para reducir los riesgos de incendio, choques eléctricos o lesiones personales durante el uso de este refrigerador, siga las siguientes precauciones:

Lea atentamente todas las instrucciones antes de usar el refrigerador de vinos y consérvelas para utilizarlas en el futuro.

- **ADVERTENCIA:** Al colocar el aparato, asegúrese de que el cable de alimentación no esté atrapado o dañado.
- **ADVERTENCIA:** No coloque varios enchufes portátiles o fuentes de alimentación portátiles en la parte posterior del electrodoméstico.
- **ADVERTENCIA:** Riesgo de que los niños queden

atrapados en el interior del refrigerador.

- Antes de desechar su aparato usado:

Retire las puertas y deje los estantes en su lugar para que los niños no puedan trepar fácilmente.

- Nunca permita que los niños usen, jueguen o se suban al aparato.
- Nunca limpie los componentes del aparato con líquidos inflamables.
- No guarde ni use gasolina o cualquier otro líquido inflamable cerca de este u otro electrodoméstico. Los vapores de estas sustancias pueden crear un riesgo de incendio o una explosión.
- Para limpiar su aparato, no use limpiadores abrasivos ni disolventes.
- Deje 10 cm de espacio libre entre la parte posterior y los

lados del aparato para permitir la ventilación del sistema de enfriamiento.

- Para almacenar sus vinos a una temperatura estable, evite dejar la puerta abierta durante mucho tiempo.
- No instale su aparato cerca de fuentes de calor y evite la luz solar directa.
- Instale su aparato sobre una superficie plana, limpia y estable.
- No instale ningún otro equipo eléctrico en su aparato.
- Para garantizar su seguridad, no coloque el aparato en lugares húmedos.
- No almacene alimentos perecederos en este aparato ya que la temperatura interior puede no ser lo suficientemente fría para un almacenamiento adecuado.
- Este aparato de refrigeración no está diseñado para ser

utilizado como aparato empotrado en la pared.

- Este aparato no es adecuado para congelar alimentos.
- Este aparato está destinado al uso en hogares y áreas similares, como :
  - zonas de cocina en tiendas, oficinas y otros entornos de trabajo
  - en casas de campo
  - en hoteles, moteles y otras zonas residenciales
  - habitaciones de huéspedes.
- Este aparato está diseñado para usarse dentro de una casa o apartamento.

Para un rendimiento óptimo, es fundamental que la temperatura de la habitación en la que se utilice no sea inferior a 16°C ni superior a 32°C.

- Los niños de 3 a 8 años pueden cargar y descargar aparatos frigoríficos.



- Este refrigerador puede ser utilizado por niños mayores de 8 años, siempre que sean supervisados o hayan sido debidamente instruidos en el uso seguro de la unidad y entienden los peligros implicados.
- La limpieza y el mantenimiento a cargo del usuario no deben ser realizados por niños a menos que tengan al menos 8 años y estén supervisados por un adulto.
- Mantenga el aparato y su cable de alimentación fuera del alcance de los niños menores de 8 años.
- Al utilizar electrodomésticos, siempre se deben tomar las precauciones básicas de seguridad para reducir los riesgos de incendio, descargas eléctricas y/o lesiones.
- Asegúrese de que la clasificación de voltaje en la placa de características corresponda con el voltaje principal de su hogar. Si no es el caso, comuníquese con el distribuidor y no conecte el aparato.

- El aparato no debe utilizarse si se ha caído, si se ven signos evidentes de daño o si tiene fugas.
- Tenga este documento a mano y entréguelo al futuro propietario en caso de transferencia del aparato.
- Este aparato puede ser utilizado por personas con capacidades físicas, sensoriales o mentales reducidas o con falta de experiencia o conocimientos, siempre que sean supervisadas o instruidas en el uso seguro del aparato y que entiendan perfectamente los peligros potenciales.
- Los niños no deberían jugar con el refrigerador.
- Los niños no deben realizar la limpieza y el mantenimiento del usuario sin supervisión.
- Para evitar la contaminación de los alimentos, respete las siguientes instrucciones:

- Abrir la puerta durante períodos prolongados provoca un aumento significativo de la temperatura en los compartimentos del aparato.
- Limpiar periódicamente las superficies que puedan entrar en contacto con los alimentos y los sistemas de drenaje accesibles.
- No almacene sustancias inflamables, como aerosoles, dentro del aparato, ya que podrían tener fugas o liberar líquidos.
- Si el cable de alimentación está dañado, debe ser reemplazado por el fabricante, su personal técnico o un especialista similar para evitar riesgos potenciales.
- Coloque los estantes como vienen de fábrica que dan como resultado el uso más eficiente de energía para los aparatos de refrigeración.

- Si los alimentos se almacenan durante mucho tiempo, se recomienda envolverlos en una envoltura de plástico y bajar la temperatura.
- Al comprar este electrodoméstico, usted adquiere un aparato que combina ventajas únicas:
  - El sistema de enfriamiento termoeléctrico es extremadamente discreto, a diferencia de los aparatos convencionales con compresores mucho más ruidosos.
  - Menos vibración: para preservar la calidad de los vinos.
  - Tamaño pequeño, ocupando menos espacio.

**PRECAUCIÓN:** Debido a que los gases refrigerantes son combustibles, se requerirá personal de servicio profesional para desechar el refrigerador una vez que esté fuera de uso.

**ADVERTENCIA:** No use este producto en un lugar donde los niños puedan tocarlo y no deje que los niños lo usen solos.

## **Desechando su refrigerador viejo**

Para evitar cualquier daño al medio ambiente o la salud humana causado por la eliminación incontrolada de desechos eléctricos, recicle el dispositivo de manera responsable para promover la reutilización de los recursos materiales. La eliminación debe realizarse de forma segura en los puntos de recogida públicos previstos para este fin.

Los refrigeradores más antiguos pueden contener CFC que destruyen la capa de ozono; comuníquese con el centro de tratamiento de desechos más cercano para obtener más detalles sobre los procedimientos de eliminación adecuados.

Su refrigerador funciona con isobutano refrigerante (R600a), un gas natural que no daña el medio ambiente. Aunque es inflamable, no daña la capa de ozono y no aumenta el efecto invernadero. Sin embargo, el uso de este refrigerante ha provocado un ligero aumento del nivel de ruido del aparato. Es posible que pueda escuchar el refrigerante fluyendo alrededor del sistema. Esto es inevitable y no tiene ningún efecto adverso en el rendimiento del aparato. Se debe tener cuidado durante la transportación y la instalación del aparato para que ninguna pieza del sistema de refrigeración resulte dañada. Las fugas de refrigerante pueden dañar los ojos.

Una bodega refrigerada es el espacio ideal y más práctico para almacenar vinos. Su función es mantener constantes la temperatura y la humedad en el interior para que los vinos conserven su sabor y aroma. Para mantener las condiciones idóneas el compresor de la bodega trabaja de forma exhaustiva y por eso se pueden escuchar ruidos. La mayoría de las veces se trata de un ruido normal.

Antes de entrar en contacto con el centro de servicios técnicos solicitando asistencia para su bodega refrigerada, lea estas pocas líneas.

Estos ruidos son completamente normales: zumbidos, rugidos, chasquidos, craqueos, etc.

En el momento que el compresor de la bodega se detiene, es posible escuchar un zumbido, rugido, chasquido o ruidos de craqueos. Todos estos sonidos disminuyen cuando el sistema de refrigeración entra en modo estacionario.

Durante el enfriamiento directo, a menudo se puede escuchar algún tipo de crujido irregular, silbido, burbujeo o craqueo cuando el compresor lleva mucho tiempo funcionando o justamente cuando acaba de detenerse. Este ruido es el alivio del estrés termodinámico que sufre el refrigerante debido a expansiones y contracciones sucesivas siempre que cambia la temperatura, y estos fenómenos para nada afectan el uso normal del aparato.

El compresor consiste en un motor eléctrico y un dispositivo de compresión. Debido al calor que se produce durante la compresión del refrigerante, es muy probable, especialmente en el verano cuando la temperatura ambiente es más alta, que el calor sea emitido por la bodega refrigerada. Todos estos fenómenos son normales.

#### **Para reducir algunos ruidos:**

Primero asegúrese de que su bodega esté situada sobre una superficie nivelada.

La ubicación es muy importante, no recueste la bodega refrigerada contra las paredes.

Acomode las botellas de vino en las posiciones correctas según la capacidad para evitar vibraciones no deseadas.

El ruido puede provenir del ventilador de recirculación de aire, verifique que nada esté obstruyendo o interfiriendo el funcionamiento normal del aparato.

### **INSTRUCCIONES DE INSTALACIÓN**

#### **Antes de utilizar su refrigerador de vinos**

- Retire el todo el material de embalaje por dentro y por fuera.
- Este aparato está diseñado para ser instalado de forma autónoma.
- Antes de enchufar el cable de alimentación al tomacorriente, deje el refrigerador en reposo en posición vertical durante aproximadamente 2 horas. Esto reduce el riesgo de un mal funcionamiento en el sistema de enfriamiento debido a la agitación del refrigerante durante el transporte.
- Limpie las superficies internas del gabinete del refrigerador con un paño suave y agua tibia.
- Deje al menos 10 cm de espacio libre alrededor del aparato para permitir la ventilación del sistema de enfriamiento. En caso contrario, el sistema de enfriamiento no funcionará de forma eficiente, el rendimiento será menor que lo esperado, se acumulará polvo en los componentes del refrigerador y acortará drásticamente su vida útil. También puede anular los efectos de la garantía.

Siga esta recomendación para garantizar una ventilación adecuada:

Mientras el refrigerador enfría el gabinete interior (elimina el calor), el calor extraído se disipa a través del serpentín del condensador en la parte posterior del aparato. Este calor debe eliminarse por convección dentro de la habitación y para eso es necesario que el aire circule fuera del aparato y se difunda en los alrededores del local.

Si no se tiene la ventilación adecuada, el calor se acumulará en el gabinete e impedirá que el aparato mantenga el nivel de refrigeración adecuado; esto aumentará el consumo de energía y recalentará los componentes eléctricos del aparato.

- Coloque su refrigerador sobre un piso lo suficientemente fuerte como para soportar el peso total con el interior lleno de botellas de vino.
- Asegúrese de que el refrigerador esté bien nivelado ajustando las peanas delanteras en la base del aparato. Asegúrese de que esté completamente apoyado en todas las peanas.
- Instale el refrigerador en un lugar protegido de la luz solar directa y fuentes de calor (radiadores, hornos y calefactores de cualquier tipo). La acción directa de los rayos del sol puede dañar el revestimiento externo del refrigerador y la exposición al calor aumenta el consumo de energía. El funcionamiento del aparato también se ve afectado cuando la temperatura ambiente es extremadamente alta o muy baja.
- Este refrigerador de vinos no está diseñado para permanecer en sótanos o bodegas cerradas.
- Este refrigerador está diseñado exclusivamente para uso en interiores.
- **Precaución:** asegúrese de mantener el refrigerador de vinos lo más lejos posible de cualquier sustancia inflamable o combustible.
- Verifique que el colector de agua esté bien colocado por detrás del refrigerador antes de enchufarlo al tomacorriente.

## LIMPIEZA Y MANTENIMIENTO

### Limpieza del refrigerador

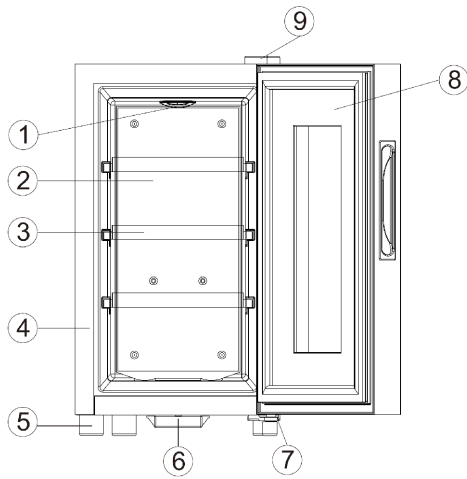
- Desenchufe el cable de alimentación del tomacorriente y saque todas las botellas de vino.
- Limpie las superficies externas usando agua tibia con una pequeña cantidad de detergente suave.
- Retire el colector de agua en la parte posterior del refrigerador y lávelo.

### Para mover el refrigerador



- Retire todas las botellas de vino y desconecte el refrigerador.
- Sujete todos los artículos sueltos dentro del gabinete usando precinta.
- Recoja la peana ajustable enroscándola en la base para evitar daños.
- Cierre la puerta y asegúrela con precinta.
- Asegúrese de mantener el refrigerador siempre en posición vertical protegido de golpes durante el transporte.

## DESCRIPCIÓN DEL PRODUCTO



1	Luz interior
2	Gabinete de refrigeración
3	Estantes
4	Gabinete
5	Peana niveladora
6	Bandeja de agua
7	Tope de bisagra
8	Puerta de vidrio

9	Cubierta de bisagra
---	---------------------

## ESPECIFICACIONES TÉCNICAS

Modelo	AGE8
Capacidad de almacenamiento	8 botellas de 750 ml

Tensión nominal	220 – 240 V
Potencia nominal	70 W (a 32 °C)
Frecuencia	50 Hz
Peso	10 kg
Dimensiones (L × A × H)	260 × 495 × 470 mm
Clase energética	G
El consumo de energía medio es de 190 kWh al año, calculado con base al funcionamiento de prueba durante 24 horas en condiciones normales. El consumo real de cada aparato depende de las condiciones específicas de operación, el clima exterior y la ubicación.	
Volumen del gabinete interior	23 L
Temperatura mínima de enfriamiento	11 °C
Temperatura de enfriamiento predeterminada	17 °C
Clase climática	N
Este refrigerador de vinos está diseñado para ser instalado en interiores donde la temperatura ambiente oscile entre 16 y 32 °C.	
Nivel de ruido	26 dB

## INSTRUCCIONES DE USO Y OPERACIÓN

Su refrigerador de vinos está equipado con un control de temperatura digital en el panel de control, localizado en el estante del medio del aparato. Puede reajustar la temperatura de enfriamiento de su refrigerador cuando lo desee. Puede establecer cualquier temperatura en el rango de 11 a 18 °C.

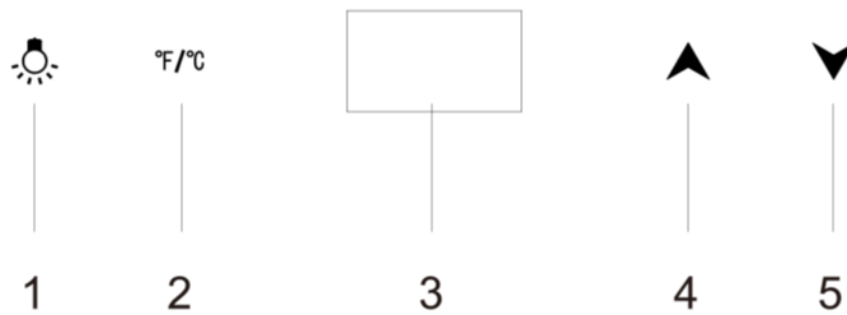
Si la temperatura ambiente no está dentro del rango de temperatura recomendado para su modelo, esto afectará negativamente la eficiencia y el rendimiento de su aparato. Es decir, instalar el refrigerador en un lugar extremadamente frío o extremadamente caliente puede provocar variaciones indeseadas en la temperatura interna del gabinete y eso no es bueno para el almacenamiento de vinos.

La temperatura en el interior del refrigerador depende de la distribución de sus botellas de vino entre los compartimientos superior, medio e inferior.

Es posible que necesite reajustar la temperatura de enfriamiento en función de la temperatura ambiente.

Este refrigerador está diseñado para almacenar un máximo de 8 botellas de vino de tamaño estándar (750 ml).

### Panel de control



1. **BOTÓN DE LA LUZ INTERIOR**
2. **TEMPERATURA**
3. **MOSTRAR**
4. **TEMPERATURA (BOTÓN SUBIR)**
5. **TEMPERATURA (BOTÓN BAJAR)**

Para minimizar el consumo de energía, asegúrese de no exceder la capacidad máxima recomendada para el modelo de su refrigerador, que son 8 botellas de vino Bordeaux de 750 ml.

Cuando utilice el refrigerador de vinos por primera vez o después de haber estado apagado por un largo período, puede haber algunos grados de diferencia entre la temperatura que se muestra en pantalla y la temperatura real dentro del gabinete. Esto es normal y se debe al retardo de activación del sistema refrigerante. Todo volverá a la normalidad después de algunas horas de funcionamiento. Si le preocupa que la pantalla del panel de control no esté mostrando la temperatura correcta y desea verificar la lectura, necesitará un termómetro especial para frigoríficos/refrigeradores. Es posible que también necesite un higrómetro para medir la humedad relativa dentro del refrigerador. Estos instrumentos están disponibles en la mayoría de los supermercados y ferreterías. Coloque el termómetro y el higrómetro en el estante del medio del refrigerador, donde pueda ver las lecturas con facilidad y déjelos toda la noche. Al otro día compare las temperaturas del termómetro y la pantalla. La humedad del aire en el interior del aparato debe estar de 50 a 80%, dependiendo del tipo de vino.

#### **OBSERVACIONES:**

- Al enchufar el cable de alimentación al tomacorriente, el sistema de enfriamiento empieza a funcionar hasta que la temperatura en el interior del aparato alcanza el valor previamente ajustado; después de esto el sistema de autocontrol del termostato apaga el compresor haciendo que la temperatura en el gabinete aumente gradualmente.
- Cuando la temperatura interior del gabinete se eleva por encima del valor ajustado (con cierta tolerancia), el sistema de autocontrol activa de nuevo el compresor para disminuir nuevamente la temperatura. De esta forma se realiza un ciclo completo de enfriamiento.
- Después de ajustar la temperatura en el panel de control, la pantalla volverá a mostrar la temperatura actual dentro del gabinete, que irá cambiando gradualmente hasta llegar a la última temperatura ajustada.

#### **GUÍA DE SOLUCIÓN DE PROBLEMAS**

Algunos problemas pueden ser resueltos fácilmente por el usuario sin necesidad de acudir a un centro de servicios. Consulta la siguiente tabla antes de solicitar la ayuda de un profesional.

<b>PROBLEMA</b>	<b>CAUSA POSIBLE</b>
El refrigerador no funciona.	El cable de alimentación no está enchufado. El disyuntor está caído o hay un fusible fundido. Compruebe que hay energía en el tomacorriente conectando otro equipo eléctrico.
El refrigerador no está enfriando lo suficientemente.	Verifique la temperatura ajustada en el panel de control. Si la temperatura ambiente es alta, puede que sea necesario reducir la temperatura de enfriamiento. La puerta se abre con demasiada frecuencia. La puerta no está completamente cerrada. La junta de la puerta no sella correctamente. Poco espacio libre alrededor del aparato para facilitar la circulación de aire.
El compresor se mantiene encendido permanentemente.	La temperatura ambiente es superior a la máxima permitida. Ha colocado demasiadas botellas en el refrigerador. La puerta se abre con demasiada frecuencia. La puerta no está completamente cerrada. La temperatura ajustada no es la más apropiada. La junta de la puerta no sella correctamente.
La luz interna no enciende.	El cable de alimentación no está enchufado. El disyuntor está caído o hay un fusible fundido. La lámpara está quemada o con fallas de uso. El botón de la luz está "APAGADO".
Hay vibraciones.	Verifique que el refrigerador esté bien nivelado.
El refrigerador parece estar haciendo mucho ruido.	El refrigerador no está nivelado o alguna de las peanas de nivelación está desajustada.
La puerta no cierra correctamente.	El refrigerador no está nivelado. La junta está deformada. Los estantes están fuera de sus posiciones e impiden el cierre de la puerta.
Agua debajo del refrigerador.	El colector de agua está mal colocado en la parte trasera del refrigerador o está lleno. Verifique la instalación del colector de agua y vacíe su contenido.

## **MEDIO AMBIENTE**

**ATENCIÓN:**



No se deshaga de este producto como lo hace con otros productos del hogar. Existe un sistema selectivo de colecta de este producto puesto en marcha por las comunidades, debe de informarse en su ayuntamiento acerca de los lugares en los que puede depositar este producto. De hecho, los productos eléctricos y electrónicos pueden contener sustancias peligrosas que tienen efectos nefastos para el medio ambiente o para la salud humana y deben ser reciclados. El símbolo aquí presente indica que los equipos eléctricos o electrónicos deben de ser cuidadosamente seleccionados, representa un recipiente de basura con ruedas marcado con una X.

Adeva SAS / H.Koenig Europe - 8 rue Marc Seguin, 77290 Mitry-Mory, France

[www.hkoenig.com](http://www.hkoenig.com) - [sav@hkoenig.com](mailto:sav@hkoenig.com) - [contact@hkoenig.com](mailto:contact@hkoenig.com) - Tél: +33 1 64 67 00 05

# ITALIANO

## ⚡ AVVERTIMENTO ⚡

Per ridurre il rischio di incendi, scosse elettriche o lesioni durante l'utilizzo dell'apparecchio, seguire queste precauzioni di base:

Leggere attentamente queste istruzioni per l'uso prima di utilizzare il dispositivo e conservarle per un uso futuro.

- **AVVERTIMENTO:** Quando si posiziona l'apparecchio, assicurarsi che il cavo di alimentazione non sia intrappolato o danneggiato.
- **AVVERTIMENTO:** Non collocare più prese portatili o alimentatori portatili sul retro dell'apparecchio.
- **AVVERTIMENTO:** Rischio di intrappolamento di bambini.
- Prima di smaltire l'apparecchio:
- Rimuovere le ante e lasciare i ripiani in posizione in modo che un bambino non possa entrare facilmente nell'unità.
- Non permettere mai ai bambini di usare, giocare o

arrampicarsi sull'unità.

- Non pulire mai i componenti dell'unità con liquidi infiammabili.
- Non conservare o utilizzare benzina o altri liquidi o gas infiammabili vicino a questo o ad altri apparecchi. I vapori presentano un rischio di incendio o esplosione.
- Per pulire l' apparecchio, non utilizzare detergenti o solventi abrasivi
- Lasciare 10 cm di spazio libero tra il retro e i lati dell'unità per consentire la ventilazione del sistema di raffreddamento.
- Per conservare il vino a temperatura stabile, evitare di lasciare la porta aperta troppo a lungo.
- Non installare l'apparecchio vicino a una fonte di calore ed evitare la luce solare diretta.



- Installare l'apparecchio su un pavimento piano, pulito e stabile.
- Non installare nessun'altra apparecchiatura elettrica sull'apparecchio.
- Per garantire la tua sicurezza, non posizionare l'apparecchio in luoghi umidi.
- Non conservare alimenti deperibili in questo apparecchio poiché la temperatura interna potrebbe non essere sufficientemente fredda per una corretta conservazione.
- Questo apparecchio di refrigerazione non è concepito per essere utilizzato come apparecchio da incasso.
- Questo apparecchio di refrigerazione non è adatto per congelare alimenti.
- Questo apparecchio è destinato all'uso in ambienti domestici e simili, come :

- cucine di negozi, uffici e altri ambienti di lavoro
  - in case coloniche
  - in alberghi, motel e altre aree residenziali
  - nelle camere degli ospiti.
- 
- Questo dispositivo è progettato per l'uso all'interno di una casa o di un appartamento. È fondamentale che la temperatura dell'ambiente in cui viene utilizzato non sia inferiore a 16°C o superiore a 32°C per un utilizzo ottimale.
  - I bambini dai 3 agli 8 anni possono caricare e scaricare apparecchi frigoriferi.
  - Questo apparecchio può essere utilizzato da bambini di almeno 8 anni di età, a condizione che siano controllati e abbiano ricevuto istruzioni sull'uso sicuro

dell'apparecchio e siano pienamente consapevoli dei pericoli annessi.

- La pulizia e la manutenzione non devono essere eseguite da bambini a meno che non abbiano almeno 8 anni di età e siano supervisionati da un adulto.
- Tenere l'apparecchio e il cavo di alimentazione fuori dalla portata dei bambini di età inferiore a 8 anni.
- Quando si utilizzano apparecchiature elettriche, devono essere sempre prese precauzioni di sicurezza per prevenire il rischio di incendio, scosse elettriche e/o lesioni in caso di uso improprio.
- Assicurarsi che la tensione nominale sulla targhetta corrisponda alla tensione principale dell'impianto elettrico. In caso contrario, contattare il rivenditore e non collegare l'unità.

- Il dispositivo non deve essere utilizzato se è caduto, se sono visibili segni evidenti di danneggiamento o se presenta perdite.
- Tenere questo documento a portata di mano e consegnarlo al futuro proprietario in caso di trasferimento del l'apparecchio
- Questo apparecchio può essere usato da persone con ridotte capacità fisiche, sensoriali o mentali o con mancanza di esperienza o conoscenza, a condizione che siano sorvegliate o istruite sull'uso sicuro dell'apparecchio e che comprendano pienamente i potenziali pericoli.
- I bambini non devono giocare con l'apparecchio.
- La pulizia e la manutenzione non devono essere eseguite da bambini senza supervisione.

- Per evitare la contaminazione degli alimenti, si prega di rispettare le seguenti istruzioni:
  - L'apertura prolungata della porta può provocare un aumento significativo della temperatura nei vani dell'apparecchio.
  - Pulire regolarmente le superfici che possono venire a contatto con alimenti e sistemi di drenaggio accessibili.
- - Se l'apparecchio refrigerante viene lasciato vuoto per lunghi periodi, spegnere, scongelare, pulire, asciugare e lasciare la porta aperta per evitare la formazione di muffe all'interno dell'apparecchio.
- Non conservare sostanze esplosive come bombolette spray con propellente infiammabile in questo apparecchio.

- Se il cavo di alimentazione è danneggiato, deve essere sostituito dal produttore, dal suo agente di servizio o da persone similmente qualificate per evitare pericoli.
- I ripiani sono posizionati in modalità di fabbrica che rappresenta la modalità più efficiente dell'energia per gli apparecchi di refrigerazione.
- Se il cibo viene conservato per lungo tempo, si consiglia di avvolgerlo in un involucri di plastica e di abbassare la temperatura.
- Con l'acquisto questo elettrodomestico, si entra in possesso un dispositivo che unisce vantaggi unici:
  - ◇ Il sistema di raffreddamento termoelettrico è estremamente discreto, a differenza di apparecchi convenzionali con compressori molto più rumorosi.

- ◇ Meno vibrazioni: per preservare la qualità dei vini.
- ◇ Di piccole dimensioni, occupa meno spazio.

**ATTENZIONE:** Poiché i gas refrigeranti sono combustibili, lo smaltimento del refrigeratore elettrico una volta fuori uso dovrà essere effettuato da personale qualificato.

**AVVERTIMENTO:** Non utilizzare questo prodotto in un luogo in cui i bambini possono toccarlo e non lasciare che i bambini lo usino da soli.

### **Smaltimento dei rifiuti**

Per evitare danni all'ambiente o alla salute umana causati dallo smaltimento incontrollato dei rifiuti elettrici, riciclare il dispositivo in modo responsabile per promuovere il riutilizzo delle risorse materiali. Lo smaltimento deve essere effettuato in sicurezza presso i punti di raccolta pubblici previsti a tale scopo.

I frigoriferi più vecchi possono contenere CFC che distruggono lo strato di ozono; contattare il centro di trattamento dei rifiuti più vicino per maggiori dettagli sulle corrette procedure di smaltimento.

Questo apparecchio contiene il liquido di raffreddamento isobutene (R600a), un gas naturale che rispetta l'ambiente.

Pur essendo infiammabile, non danneggia lo strato di ozono e non aumenta l'effetto serra. L'utilizzo di questo liquido di raffreddamento ha però comportato un leggero aumento della rumorosità dell'apparecchio. Potrebbe essere possibile sentire il liquido di raffreddamento che scorre all'interno del sistema.

Ciò è inevitabile e non ha alcun effetto negativo sulle prestazioni dell'apparecchio. Durante il trasporto e



**l'installazione dell'apparecchio è necessario prestare attenzione affinché nessuna parte del sistema di raffreddamento venga danneggiata. La fuoriuscita di refrigerante può danneggiare gli occhi.**

Una cantinetta è lo spazio più pratico per conservare i vini. Il suo ruolo è quello di bilanciare la temperatura e l'umidità all'interno in modo che il vino non perda il suo gusto e i suoi aromi. A causa di queste particolari operazioni, si possono sentire dei rumori. Il più delle volte, si tratta di rumori normali.

Prima di chiamare il servizio tecnico per assistenza, leggere queste poche righe.

Questi suoni sono del tutto normali: ronzii, clic, scricchiolii ...

Quando la cantinetta ha appena smesso di funzionare, è possibile sentire un ronzio, un clic o un rumore stridulo. Quando il funzionamento si stabilizza, i suoni si attenuano.

Per il raffreddamento diretto, si può spesso sentire qualche tipo di crepitio irregolare, sibilo, gorgoglio, quando il compressore è in funzione per un po' o si è appena spento. Questo suono è causato dallo stress dovuto all'espansione e alla contrazione del cambio di temperatura e non influenzerà il corretto funzionamento del prodotto.

Il compressore è costituito da un motore elettrico e da un dispositivo di compressione. A causa del calore prodotto durante la compressione del refrigerante, è possibile, soprattutto in estate quando la temperatura ambiente è più elevata, che venga emesso calore dalla cantina. Tutti questi fenomeni sono normali.

Per ridurre alcuni rumori:

Innanzitutto, assicurarsi che la cantinetta sia su una superficie piana.

La posizione è importante, non appoggiare la cantinetta al muro.

Le bottiglie devono essere caricate correttamente per evitare vibrazioni indirette.

Il rumore può provenire dalla ventola di circolazione, verificare che nulla interferisca con il suo funzionamento.

## **ISTRUZIONI PER L'INSTALLAZIONE**

### **Prima di mettere l'apparecchio in funzione**

- Rimuovere l'imballaggio esterno ed interno.
- Questo apparecchio è progettato per essere posizionato in modo indipendente.
- Prima di collegare la cantinetta alla presa di corrente, lasciarla in piedi per circa 2 ore. Ciò ridurrà la possibilità di un malfunzionamento del sistema di raffreddamento dovuto a una manipolazione impropria durante il trasporto. Pulire la superficie interna con acqua tiepida utilizzando un panno morbido.
- Lasciare 10 cm di spazio libero tra la parte posteriore e i lati dell'unità per consentire la

ventilazione del sistema di raffreddamento. In caso contrario, si otterranno scarse prestazioni di raffreddamento, accumulo di polvere sui componenti e si ridurrà drasticamente la durata del prodotto. Può anche invalidare la garanzia.

#### Di seguito sono riportate le linee guida per creare una corretta ventilazione

Nozioni di base sulla ventilazione: mentre l'unità si raffredda (rimuovendo il calore) dal suo interno, il calore rimosso viene dissipato attraverso la serpentina del condensatore sul retro dell'apparecchio. Questo calore deve essere rimosso con un'adeguata circolazione dell'aria e scaricato all'esterno dell'apparecchio. In caso contrario, si accumulerà un calore eccessivo all'interno che impedirà all'unità di mantenere un raffreddamento adeguato, aumenterà il consumo di energia e surriscaldere i componenti dell'impianto elettrico.

- Posizionare l'unità su un pavimento abbastanza resistente da sostenere il peso dell'unità completamente piena.
- Assicurarsi che l'unità sia in piano regolando i piedini anteriori sotto l'unità stessa. Assicurarsi che l'apparecchio poggi sui piedini in modo stabile.
- Installare l'apparecchio lontano dalla luce diretta del sole e da fonti di calore (radiatori, piastre elettriche, ecc.). La luce solare diretta può danneggiare il rivestimento dell'unità e il calore può aumentarne il consumo energetico. Una temperatura ambiente estremamente fredda o calda, ciò potrebbe impedire il corretto funzionamento dell'unità.
- L'unità non è progettata per essere installata in un seminterrato o in una cantina.
- Questa unità è progettata esclusivamente per uso interno.

**Attenzione:** Assicurarsi che l'unità sia tenuta lontana da qualsiasi sostanza che possa causare combustione.

- Verificare che il serbatoio dell'acqua sia in posizione prima di collegare l'unità.

## **PULIZIA E MANUTENZIONE**

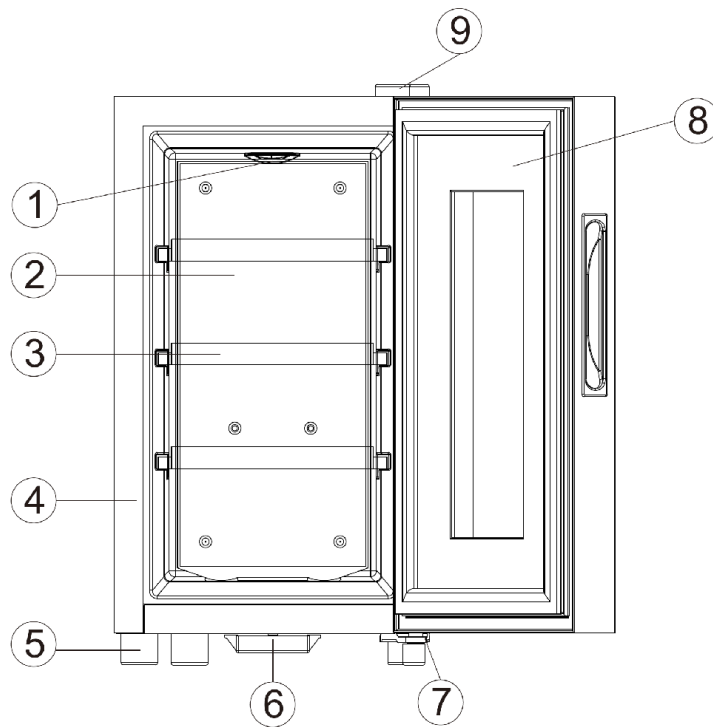
### **Pulizia dell'apparecchio**

- Scollegare l'apparecchio ed estrarre tutte le bottiglie.
- Pulire l'esterno dell'unità con acqua calda e un detergente delicato.
- Rimuovere il serbatoio dell'acqua nella parte inferiore dell'unità, quindi lavarlo.

## **Spostamento dell'apparecchio**

- Rimuovere tutte le bottiglie e scollegare l'apparecchio.
- Fissare con nastro adesivo tutte le parti libere all'interno dell'apparecchio.
- Ruotare i piedini per regolare la loro altezza al minimo per evitare danni.
- Stringere la porta per tenerla chiusa.
- Assicurarsi di mantenere l'apparecchio in posizione eretta durante il trasporto.

## DESCRIZIONE DEL PRODOTTO



1	Luce
2	Piastra refrigerante
3	Mensola
4	Mobile
5	Piedini
6	Vassoio dell'acqua
7	Fermacerniera
8	Porta
9	Copertura cerniera

## **SPECIFICHE TECNICHE**

<b>Modello numero:</b>	<b>AGE8</b>	
Capacità	8 bottiglie 75cl	
Voltaggio	220-240V	
Consumo di energia	70W(32°C)	
Frequenza	50Hz	
Peso	10Kg	
Dimensioni (L x D X H)	260X495X470mm	
Classe energetica	G	
Consumo energetico di 190kWh all'anno, calcolati sulla base del risultato ottenuto per 24 ore in condizioni di prova standardizzate. Il consumo energetico effettivo dipende dalle condizioni operative e dall'ubicazione dell'unità.		
Volume di stoccaggio	23 L	
Temperatura di conservazione più fredda	11°C	
Temperatura di funzionamento	17°C	
Classe climatica	N	
Questa unità è progettata per l'uso a una temperatura ambiente compresa tra +16°C e +32°C		
Emissioni di rumore	26dB	

## **UTILIZZO DELL'APPARECCHIO**

La cantinetta ha un controllo elettrico della temperatura sulla parte anteriore dell'unità. È possibile programmarla con qualsiasi impostazione desiderata. La temperatura all'interno è regolata nell'intervallo di 11-18°C.

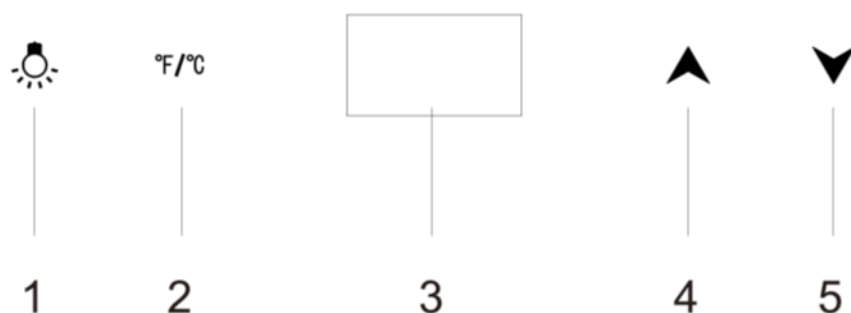
Una temperatura ambiente è superiore o inferiore alle temperature consigliate, avrà un impatto negativo sulle sue prestazioni. Ad esempio, posizionare l'unità in un luogo estremamente freddo o caldo può causare variazioni nella temperatura interna dell'unità.

La temperatura interna può variare a seconda della posizione delle bottiglie, in alto, al centro o in basso.

Potrebbe essere necessaria una regolazione a seconda della temperatura ambiente.

Questo apparecchio è progettato per la conservazione di un massimo di 8 bottiglie di vino di formato standard (75cl).

### **Pannello di controllo**



1. **PULSANTE LUCE**
2. **TEMPERATURA**
3. **SCHERMO**
4. **TEMPERATURA PULSANTE SU**
5. **TEMPERATURA PULSANTE GIÙ**

Per ridurre al minimo il consumo di energia, assicurarsi di rispettare la capacità di riempimento della cantinetta – 8 Bottiglie formato "bordeaux 75cl".

Durante la prima attivazione o il riavvio dopo un lungo periodo di inattività, potrebbero esserci alcuni gradi di scostamento tra la temperatura selezionata e quella indicata sul display. Questo è normale ed è dovuto alla lunghezza del tempo di attivazione. Una volta che la cantinetta sarà in funzione per alcune ore, tutto tornerà alla normalità.

Se sei preoccupato che il display della temperatura di frigorifero non segni correttamente la temperatura e se desideri controllare la temperatura stessa, avrai bisogno di un termometro speciale per frigorifero/congelatore. Potrebbe anche essere necessario un igrometro per controllare l'umidità del tuo dispositivo. Questi sono in vendita nella maggior parte dei supermercati e negozi di ferramenta. Posizionare il termometro e l'igrometro sul ripiano centrale del elettricopiù fresco, dove può essere letto facilmente. Lasciare una notte, confrontare la temperatura del termometro e il

display nella cantinetta. L'umidità nel refrigeratore dovrebbe essere compresa tra il 50% e l'80% di umidità relativa a seconda del tipo di vino.

**NOTA:**

- Quando l'alimentazione è collegata, il sistema di raffreddamento inizia a funzionare. La temperatura è impostata su una determinata posizione, il che significa che se la temperatura dell'apparecchio raggiunge il punto impostato, il sistema di autocontrollo della temperatura interrompe il sistema di raffreddamento in modo che la temperatura all'interno del mobile aumenti gradualmente.
- Quando la temperatura interna sale al di sopra della temperatura settata, l'Autocontrollo del Raffreddamento riprende a funzionare, la cantinetta entra in modalità di raffreddamento.
- Dopo aver impostato la temperatura, il display tornerà a mostrare la temperatura nel refrigeratore, ma potrebbe tornare alla temperatura impostata in modo graduale.

**GUASTI E SOLUZIONI**

Alcuni malfunzionamenti possono essere facilmente risolti. Prima di chiamare il servizio clienti o un riparatore, consultare la tabella seguente:

<b>PROBLEMA</b>	<b>POSSIBILI CAUSE E SOLUZIONI</b>
L'apparecchio non funziona.	Non connesso. L'interruttore è scattato o il fusibile è danneggiato. Verificare se la presa è alimentata collegando un altro dispositivo elettrico.
L'apparecchio non è abbastanza freddo	Controllare l'impostazione della temperatura. Potrebbe essere necessario impostare l'apparecchio ad una temperatura più fredda. La porta viene aperta troppo spesso. La porta non è completamente chiusa. La guarnizione della porta non è posizionata correttamente. Spazio insufficiente intorno alla cantina per consentire la ventilazione.
Il dispositivo funziona continuativamente	La temperatura ambiente è superiore alla massima supportata. Troppe bottiglie all'interno dell'apparecchio. La porta viene aperta troppo spesso. La porta non è completamente chiusa. Il controllo della temperatura non è calibrato correttamente. La guarnizione della porta non è posizionata correttamente.
La luce non funziona.	L'apparecchio non è collegato. L'interruttore è scattato o un fusibile è danneggiato. L'illuminazione a LED è fuori servizio. Il pulsante della luce è impostato su "OFF".
Vibrazioni.	Assicurarsi che l'apparecchio sia a livello.
L'apparecchio fa troppo rumore.	L'apparecchio non è livellato o un piedino non è regolato correttamente.
La porta non si chiude correttamente.	L'apparecchio non è a livello. I ripiani sono fuori posizione e bloccano la chiusura dell'anta.

Acqua sotto il dispositivo	il	L'acqua viene raccolta in modo errato nel serbatoio dell'acqua sul retro dell'unità. Controllare che il serbatoio dell'acqua sia in posizione corretta. Svuotare il serbatoio dell'acqua.
----------------------------	----	---

## ATTENZIONE:



Non gettare quest' apparecchio tra i rifiuti domestici. Per questo tipo di prodotti è fornito dai comuni un sistema di raccolta e ritiro in zona ed è quindi un dovere informarsi per conoscere il giusto smistamento del rifiuto. Infatti, i prodotti elettrici ed elettronici possono contenere sostanze pericolose che hanno effetti dannosi sull'ambiente o sulla nostra salute e quindi devono essere riciclati. Il simbolo al lato indica che le apparecchiature elettriche ed elettroniche fanno parte di una raccolta selettiva e differenziata (rappresentata da un bidone su due ruote sbarrato da una croce).

Adeva SAS / H.Koenig Europe - 8 rue Marc Seguin - 77290 Mitry Mory - France  
www.hkoenig.com - sav@hkoenig.com - contact@hkoenig.com - Tél: +33 1 64 67 00 05